



DYNASTY FIREPLACES

# Installation Guide for Dynasty Fireplaces Tempo Series (DY-FVX)



# WARNING & CAUTION PAGE:

## PLEASE NOTE:

- Power on and test the electric fireplace unit prior to installation
- This is a general installation guide - local building codes may vary. Consult local building codes prior to installation.

Improper installation, adjustment, alteration, service or maintenance can cause injury or property damage. Refer to the product user manual. For assistance or additional information, consult a qualified installer.

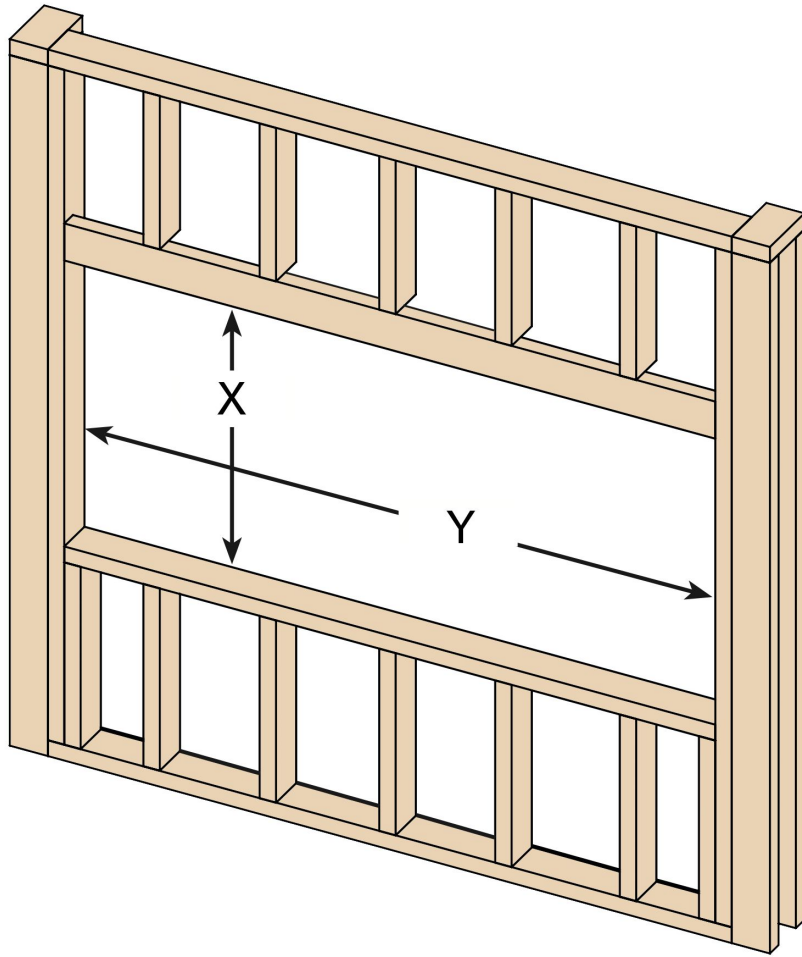
Do not insert or allow foreign objects to enter any ventilation or exhaust opening as this may cause an electric shock or fire, or damage the heater.

DO NOT run power cord under carpeting. DO NOT cover power cord with throw rugs, runners, or similar coverings. DO NOT route power cord under furniture or appliances. Arrange power cord away from traffic area, and where it will not be tripped over.

ALWAYS plug heaters directly into a wall outlet/receptacle. NEVER use with an extension cord or relocatable power tap (outlet/power strip).

NEVER plug this heater into an outlet that is old, cracked, or has any loose wires or connections. Plugging this heater into a faulty outlet could result in electric arcing within the outlet that could cause the outlet to overheat or catch fire

# Tempo Series Installation Guide

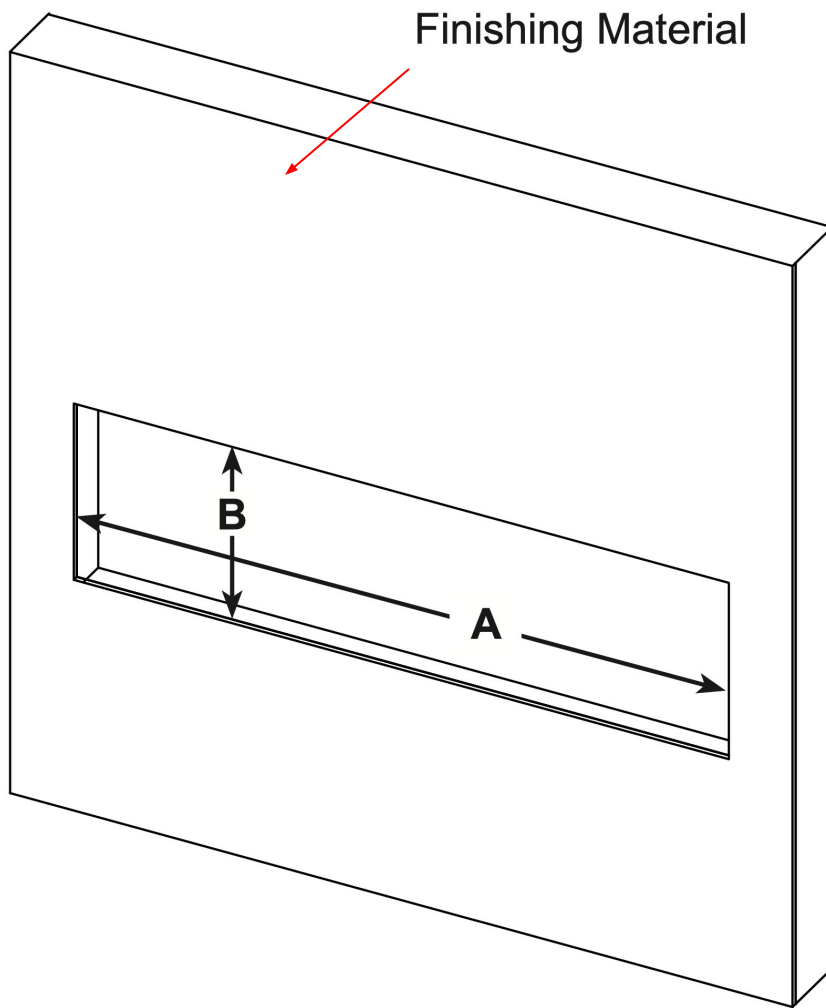


## STEP 1

1. Create framing and opening according to the dimensions of your fireplace

Framing Dimensions				
Model	DY-FVX52	DY-FVX63	DY-FVX76	DY-FVX100
X	19 $\frac{1}{8}$ in.	19 $\frac{1}{8}$ in.	19 $\frac{1}{8}$ in.	19 $\frac{1}{8}$ in.
Y	49 in.	59 $\frac{3}{4}$ in.	73 $\frac{1}{4}$ in.	97 $\frac{3}{8}$ in.
Depth	6 in.	6 in.	6 in.	6 in.

# Tempo Series Installation Guide



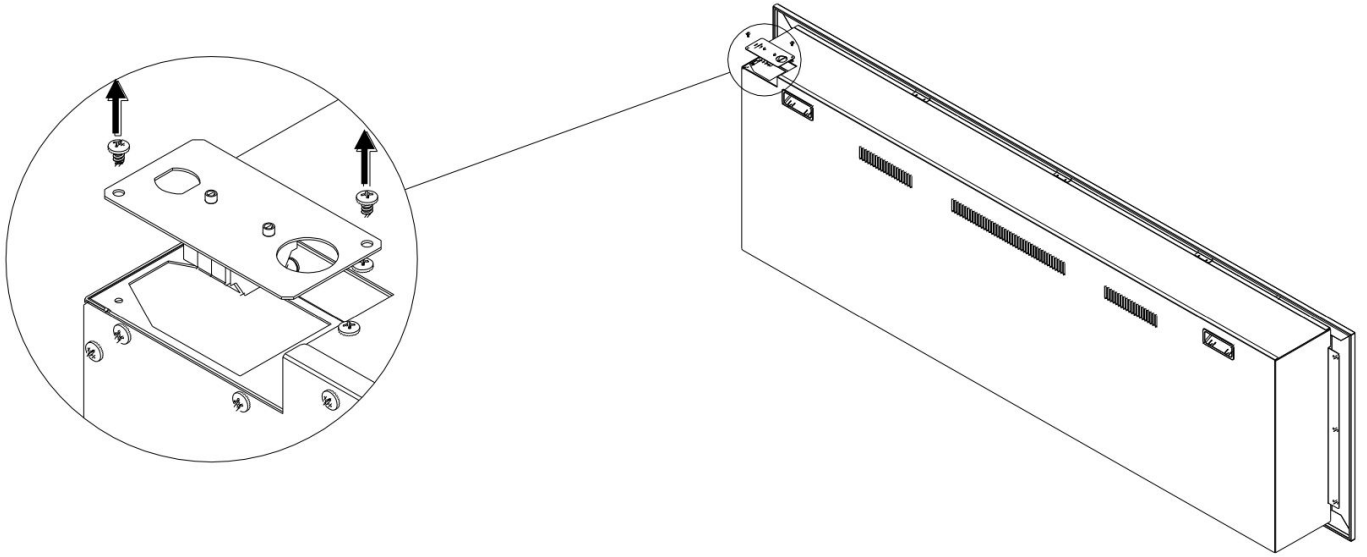
## STEP 2

2. Finishing material can be applied around the opening prior to installation. Ensure electrical power is accessible behind framing.

NOTE:

Ensure screws can be installed into the finishing material on the left and right of the opening

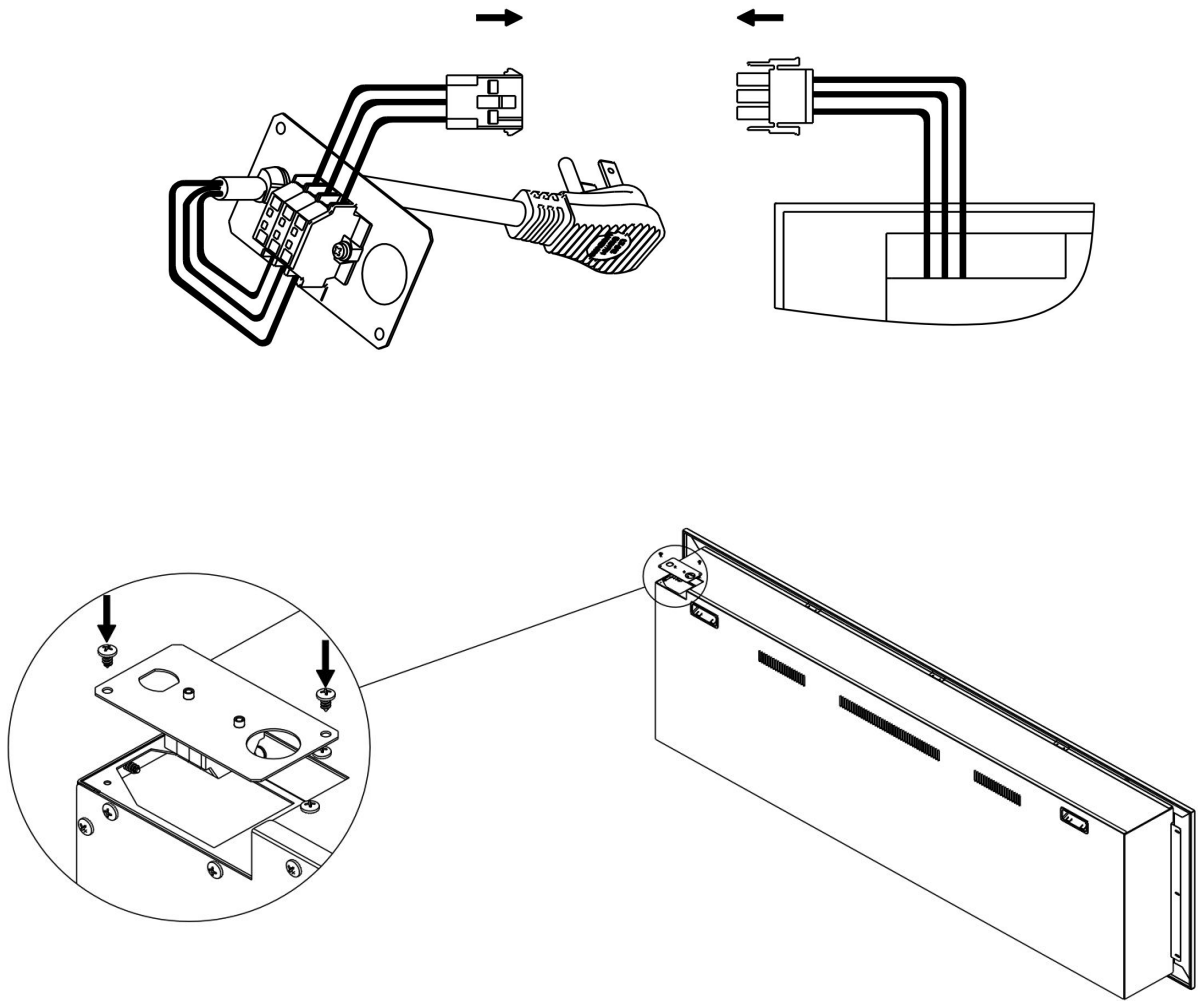
# Tempo Series Installation Guide



## STEP 3

3. Remove the 2 screws securing the wiring plate on the top right corner of the fireplace

# Tempo Series Installation Guide

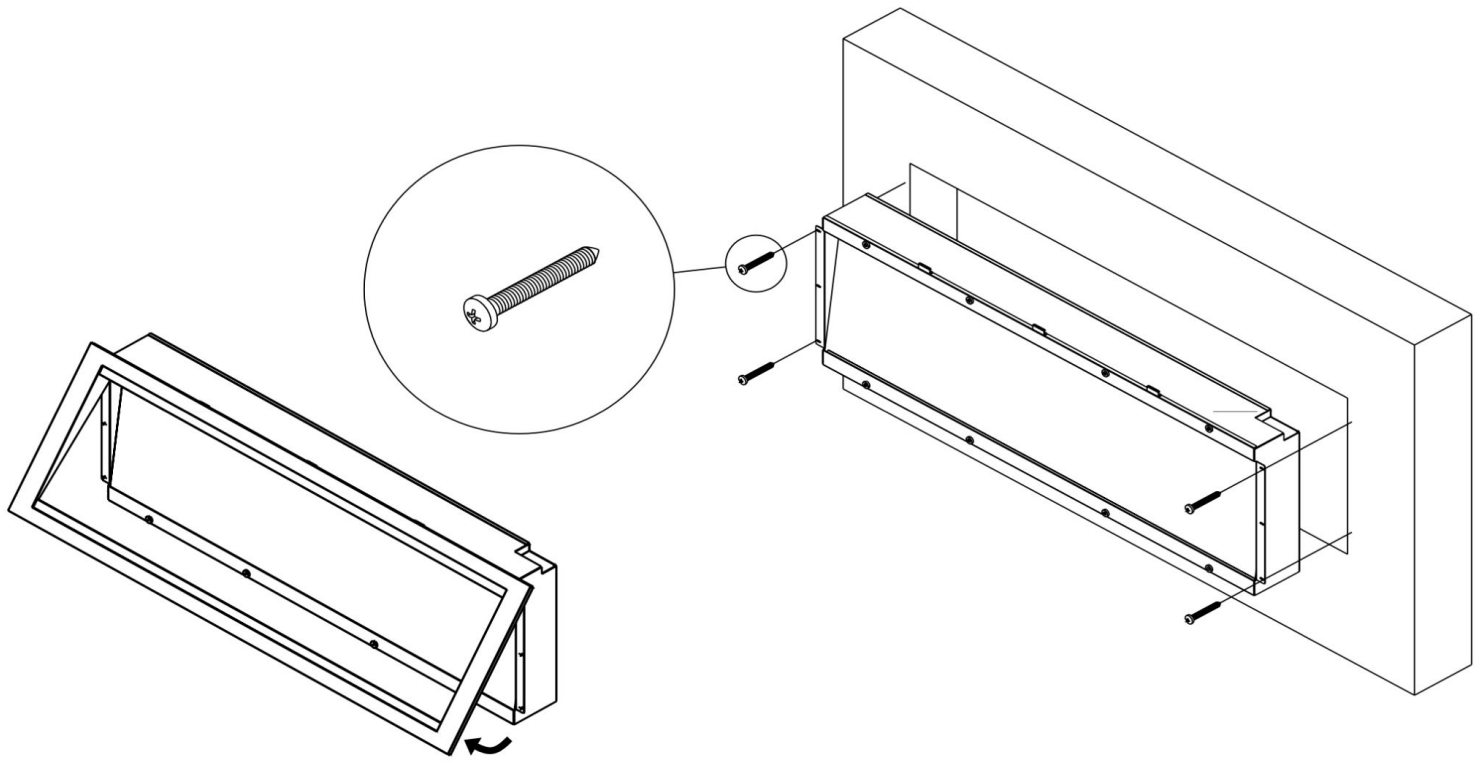


## STEP 4

4. Connect the power cord to the unit.

Secure the power cord by reinstalling the cover plate supplied on the cord.

# Tempo Series Installation Guide

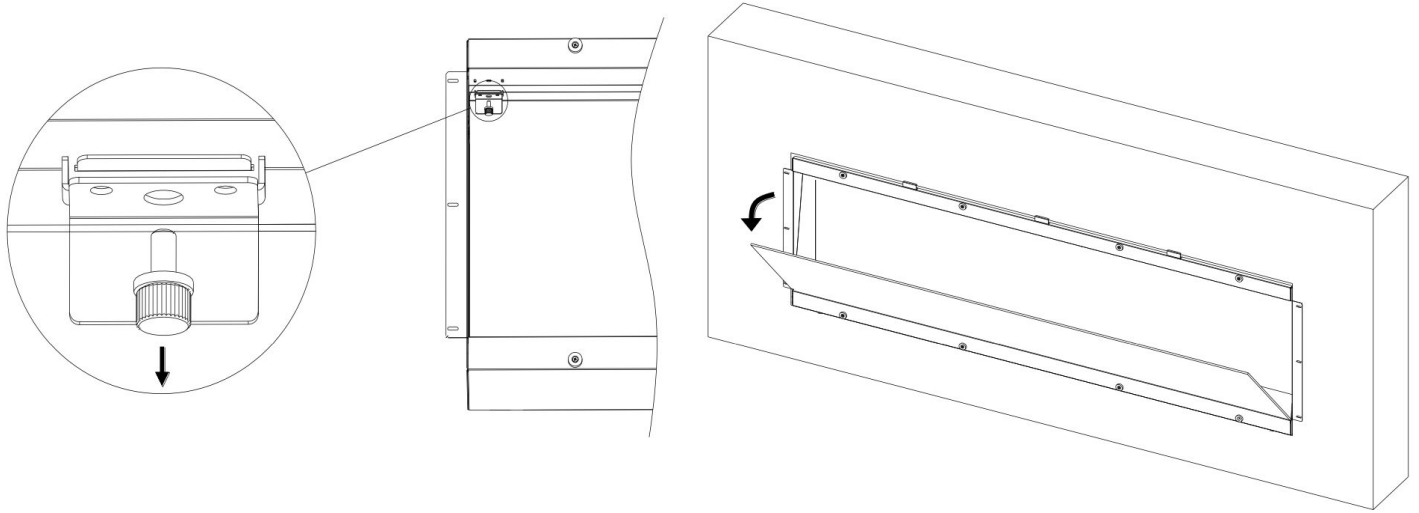


## STEP 5

5. Remove the trim, and power on the fireplace.

Set the fireplace into the framing, then secure with four ST5\*40 screws.

# Tempo Series Installation Guide

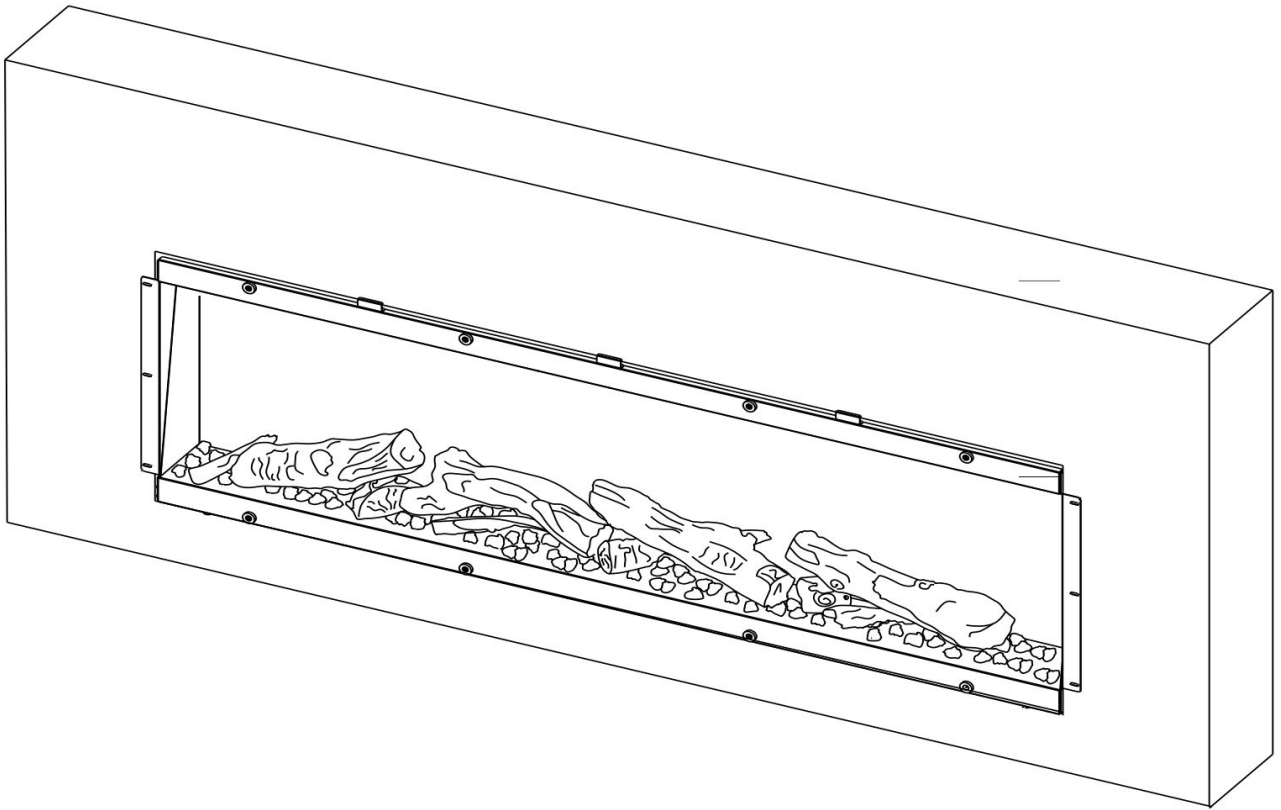


## STEP 6

6. Remove the thumb screw on both sides of the glass panel, and remove the glass panel carefully.



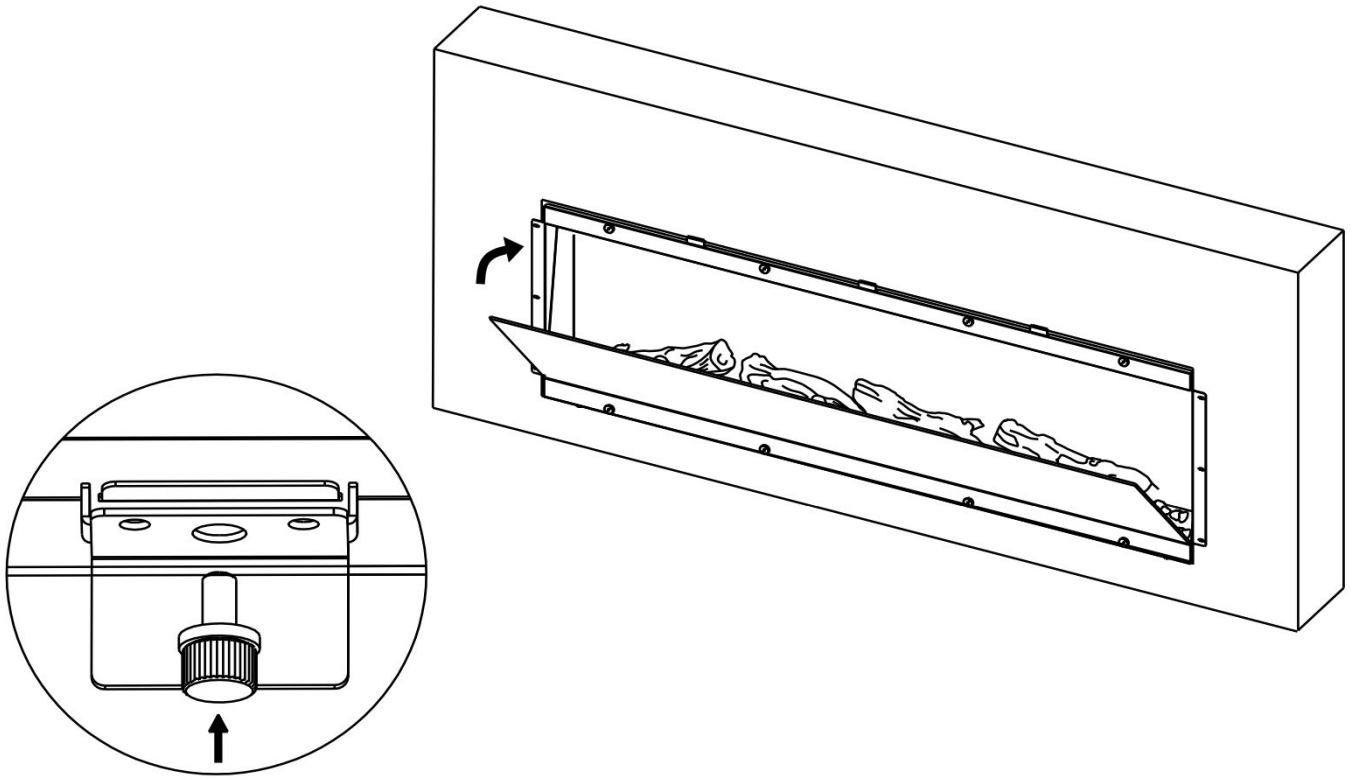
# Tempo Series Installation Guide



## STEP 7

7. Decorate the fireplace either with the crystals or the logs. Follow the guidelines provided on the fuel bed, indicating on how to position the logs for the best view.

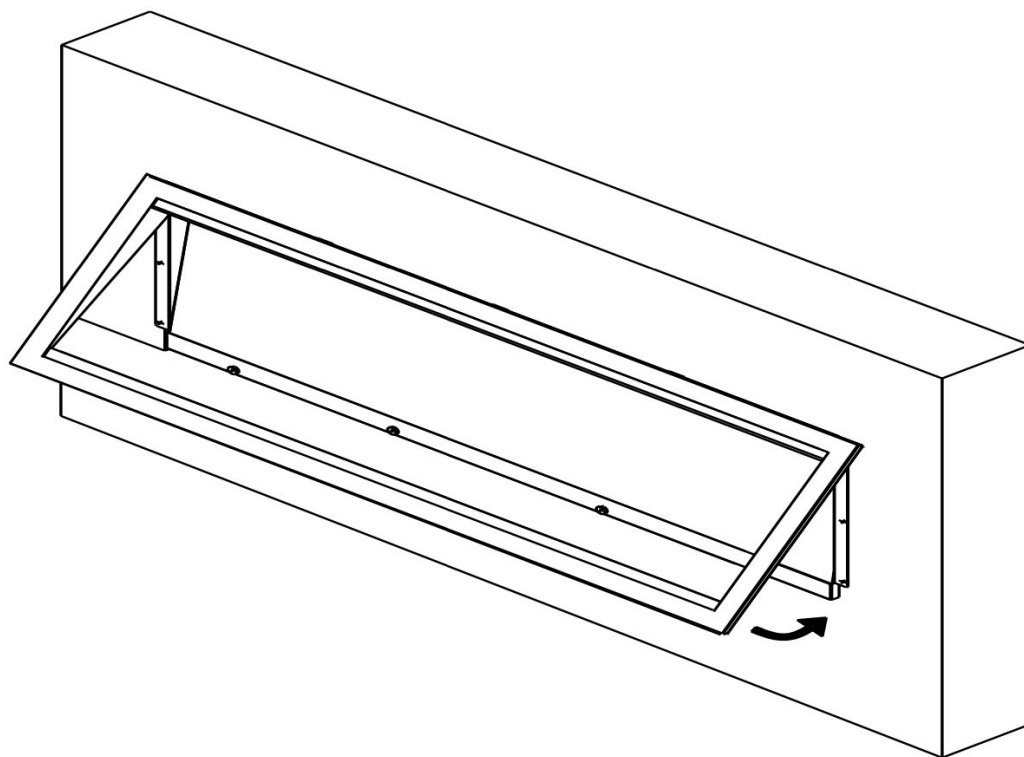
# Tempo Series Installation Guide



## STEP 8

8. Install the glass panel and the thumb screw back.

# Tempo Series Installation Guide



## STEP 9

9. Install the trim back, ensure the top clips on the trim has latched onto the fireplace.

# SUPPORT

For more product information, maintenance guide, and contact information, visit:

[support.dynastyfireplaces.com](https://support.dynastyfireplaces.com)

Contact us:

[support@dynastyfireplaces.com](mailto:support@dynastyfireplaces.com)



# THANK YOU

[WWW.DYNASTYFIREPLACES.COM](http://WWW.DYNASTYFIREPLACES.COM)