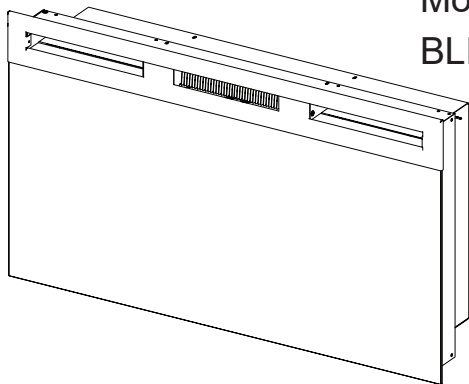




Owner's Manual

Model
BLF3451



IMPORTANT SAFETY INFORMATION: Always read this manual first before attempting to install or use this fireplace. For your safety, always comply with all warnings and safety instructions contained in this manual to prevent personal injury or property damage.

To view the full line of Dimplex products, please visit
www.dimplex.com

7213990100R03



Table of Contents

	Welcome & Congratulations	3
	IMPORTANT INSTRUCTIONS	4
	Quick Reference Guide	6
	Fireplace Installation	7
	Site Selection	7
	Wiring	8
	Grounding Instructions	8
	Hardwire Installation	9
	For Bathroom Use	10
	Surface Mount Installation	10
	Partial Recessed Installation - 2x4 Framing	12
	Flush Mounted Installation - 2x8 Framing	13
	Front Glass Installation	15
	Operation	16
	Maintenance	19
	Warranty	20

Always use a qualified technician or service agency to repair this fireplace.

! NOTE: Procedures and techniques that are considered important enough to emphasize.

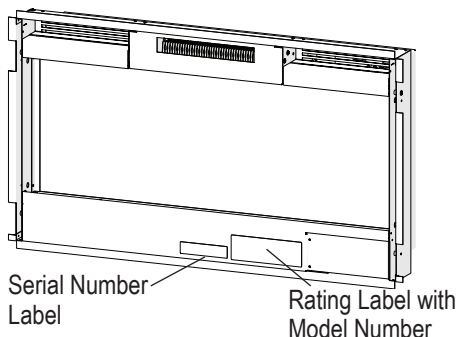
! CAUTION: Procedures and techniques which, if not carefully followed, will result in damage to the equipment.

! WARNING: Procedures and techniques which, if not carefully followed, will expose the user to the risk of fire, serious injury, or death.

Welcome & Congratulations

Thank you and congratulations for purchasing an electric fireplace from Dimplex. Please use our convenient online registration page to record your model and serial numbers for future reference at

www.dimplex.com/register




Please carefully read and save these instructions.

⚠ CAUTION: Read all instructions and warnings carefully before starting installation. Failure to follow these instructions may result in a possible electric shock, fire hazard and will void the warranty.



NO NEED TO RETURN TO THE STORE

Questions with operation or assembly? Require Parts Information?
Product Under Manufacturer's Warranty?

Contact us at:  **www.dimplex.com/customer_support**
For Troubleshooting and Technical Support


OR  **Toll-Free 1-888-346-7539**

Please visit our website for operating hours

In order to better serve you, please have your model and serial number ready or register your product online before calling (See above)


IMPORTANT INSTRUCTIONS


When using electrical appliances, basic precautions should always be followed to reduce the risk of fire, electric shock, and injury to persons, including the following:

- ① Read all instructions before using this electric fireplace.
- ② This fireplace is hot when in use. To avoid burns, do not let bare skin touch hot surfaces. The trim around the heater outlet becomes hot during heater operation.
-  **DANGER:** High temperatures may be generated under certain abnormal conditions. Do not partially or fully cover or obstruct the front of this heater.
- ③ Extreme caution is necessary when any heater is used by or near children or invalids and whenever the unit is left operating and unattended.
- ④ Young children should be supervised to ensure that they do not play with the appliance.
- ⑤ The appliance is not intended for use by young children or infirmed persons without supervision.
- ⑥ Do not operate the unit after it malfunctions. Disconnect power at the service panel and have the unit inspected by a reputable electrician before reusing.
- ⑦ If the supply cord is damaged, it must be replaced by the manufacturer, or its service agent, or a qualified person in order to avoid a hazard. Contact Glen Dimplex Americas Technical Service for obtaining a replacement cord at 1-888-346-7539.
- ⑧ Do not use outdoors.
- ⑨ Never locate fireplace where it may fall into a bathtub or other water container.
- ⑩ To disconnect the fireplace, turn the controls off, and turn off power to heater circuit at main disconnect panel.
- ⑪ Do not run the cord under carpeting. Do not cover cord with throw rugs, runners, or the like. Arrange cord away from traffic area and where it will not be tripped over.
- ⑫ Do not locate the heater immediately below a fixed socket-outlet.
- ⑬ Do not insert or allow foreign objects to enter any ventilation or exhaust opening as this may cause an electric shock or fire, or damage to the heater.
- ⑭ To prevent a possible fire, do not block air intakes or exhaust in any manner.

IMPORTANT INSTRUCTIONS

- ⑮ All electrical heaters have hot and arcing or sparking parts inside. Do not use in areas where gasoline, paint, or flammable liquids are used or stored.
- ⑯ Use this fireplace only as described in this manual. Any other use not recommended by the manufacturer may cause fire, electric shock or injury to persons.
- ⑰ Do not change the plug in any way. Always plug heaters directly into a wall outlet/receptacle. Never use with an extension cord or relocatable power tap (outlet/power strip).
- ⑱ Do not burn wood or other materials in the electric fireplace.
- ⑲ Do not strike the fireplace glass.
- ⑳ Always use a certified electrician should new circuits or outlets be required.
- ㉑ Always use properly grounded, fused and polarized outlets.
- ㉒ Disconnect all power supply before performing any cleaning, maintenance or relocation of the unit.
- ㉓ When transporting or storing the unit and cord, keep in a dry place, free from excessive vibration and store so as to avoid damage.

 **WARNING:** Remote control contains small batteries. Keep away from children. If swallowed, seek medical attention immediately.

 **WARNING:** Do not install battery backwards, charge, put in fire or mix with used or other battery types - may explode or leak causing injury.

! **NOTE:** Changes or modifications not expressly approved by the party responsible for compliance could void user's authority to operate the equipment.



CAUTION
RISK OF ELECTRIC SHOCK
DO NOT OPEN
NO USER-SERVICABLE PARTS INSIDE



SAVE THESE INSTRUCTIONS



Quick Reference Guide

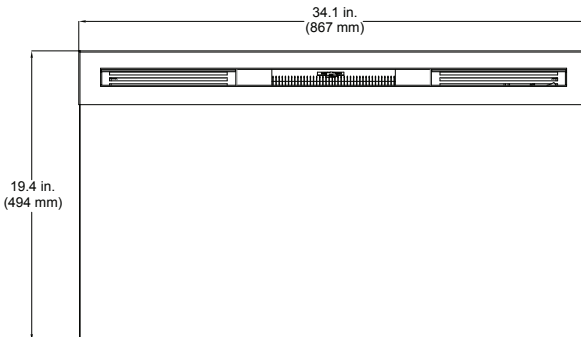
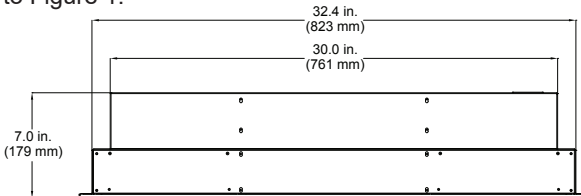
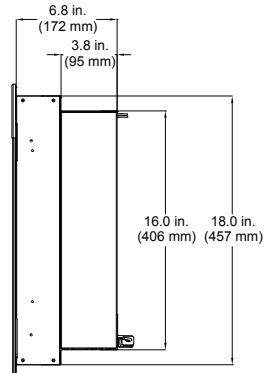
1. The electrical information regarding your electric fireplace can be found on the rating label located on the front of the unit, behind the glass.

Please use our convenient online registration page to record your model and serial numbers for future reference at

www.dimplex.com/register

2. If you have any technical questions or concerns regarding the operation of your electric fireplace, or require service contact customer service at 1-888-346-7539.
3. For dimensions of your fireplace, refer to Figure 1.

Figure 1



Fireplace Installation

Site Selection

Review and consider all of the following conditions before installation:

- Dimensions of the unit: 34.1 in. (867 mm) x 19.4 in. (494 mm)
- For surface installation, the unit requires a minimum of 2 wall studs in order to ensure secure installation. For other installation methods, suitable framing is required.

There are three possible mounting methods:

- Surface mount (pg. 10);
- Partial Recessed (pg. 11);
- Flush mount (pg. 12),

and any of these have the option of being hard-wired or plugged directly into the wall outlet.

⚠ WARNING: The top of the fireplace is to be installed at least 4" (10.2 cm) from the ceiling.

⚠ CAUTION: Ensure installation does not allow fireplace to be in direct contact with building vapor barrier or insulation and meets all local building code.

! NOTE 1: A 15 Amp, 120 Volt circuit is required. A dedicated circuit is preferred but not essential in all cases. A dedicated circuit will be required if, after installation, the circuit breaker trips or fuse blows on a regular basis when the heater is operating. Additional appliances on the same circuit may exceed the current

rating of the circuit breaker.

⚠ WARNING: Ensure the power cord is not installed so that it is pinched or against a sharp edge and ensure that the power cord is stored or secured to avoid tripping or snagging to reduce the risk of fire, electric shock or injury to persons.

Construction and electrical outlet wiring must comply with local building codes and other applicable regulations to reduce the risk of fire, electric shock and injury to persons.

⚠ WARNING: To reduce the risk of fire, do not store or use gasoline or other flammable vapors or liquids in the vicinity of the heater.

1. Select a location that is not susceptible to moisture and is away from drapes, furniture and high traffic.
2. For ease of electrical hook up you may wish to locate the fireplace near an existing outlet (for plug-in convenience) (refer to NOTE 1).
3. Remove fireplace, front glass and hardware from the box and remove all packaging materials before installation.
4. Store the fireplace in a safe, dry and dust free location until you are ready to install the fireplace.

Fireplace Installation

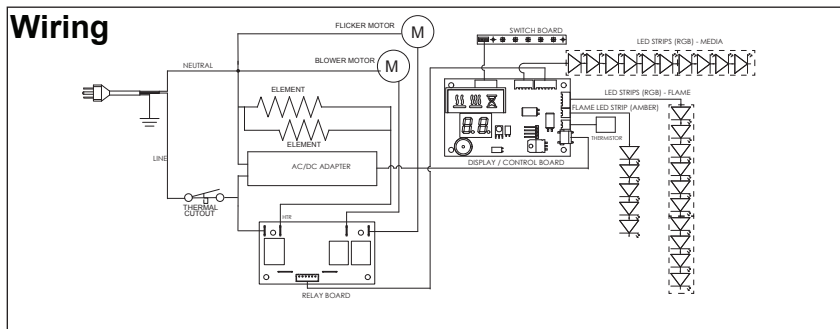
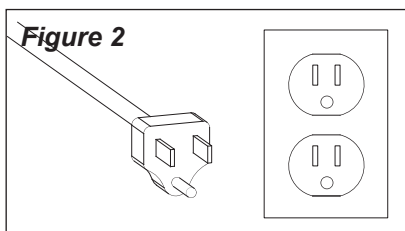
Grounding Instructions

This product must be grounded. If it should malfunction or breakdown, grounding provides a path of least resistance for electric current to reduce the risk of electric shock. This product is equipped with a cord having an equipment-grounding conductor and a grounding plug. The plug must be plugged into an appropriate outlet that is properly installed and grounded in accordance with all local codes and ordinances.

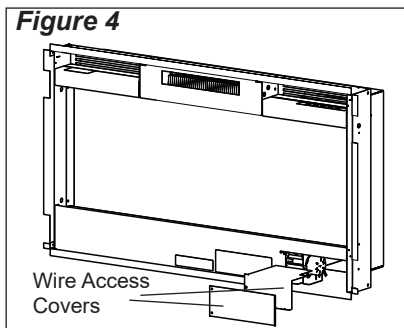
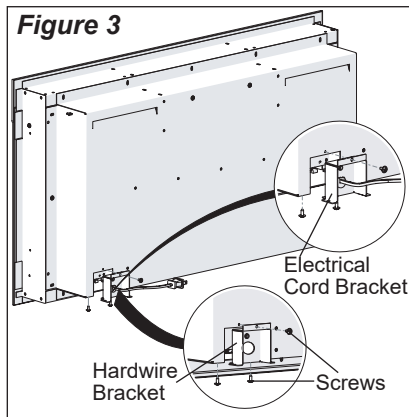
⚠ DANGER: Improper connection of the equipment-grounding conductor can result in a risk of electric shock. Check with a qualified electrician or serviceman if you are in doubt as to whether the product is properly grounded. Do not modify the plug provided with the product – if it will not fit the outlet, have a proper outlet installed by a qualified electrician.

This product is for use on a nominal

120-volt circuit and has a grounding plug that looks like the plug in Figure 1. Make sure that the product is connected to an outlet having the same configuration as the plug. No adapter should be used with this product.



Fireplace Installation



Hardwire Installation

The fireplace is provided with a three prong plug installed for plug-in convenience. Hard wiring the fireplace is also an option for any installation.

⚠ WARNING: Do not attempt to wire your own new outlets or circuits. To reduce the risk of fire, electric shock or injury to persons, always use a licensed electrician.

⚠ WARNING: Ensure that the circuit on which the fireplace is to be installed has the power cut off at the service panel until installation is complete.

1. Carefully remove the electrical cord bracket from the back of the fireplace by removing the three retaining screws. (Figure 3)
 2. Remove the two wire access covers off of the unit at the front
3. Pull the wires and connectors out of the back opening.
 4. Unscrew the three wire connectors inside the electrical box and separate the wires.
 5. Install the supplied hardwire bracket (with the $\frac{1}{2}$ " wire hole) onto the firebox. (Figure 3)
 6. Leaving a minimum of 3 in. (7.6 cm) of slack, route the power supply wires through the hole in the electrical cover bracket and secure with a wire clamp (not supplied).
 7. Connect the black wire (L) from the unit to the live wire from the power supply using one of the wire connectors removed in step 4.

Fireplace Installation


8. Connect the blue and white wires (N) from the unit to the neutral wire from the power supply using the second wire connector from step 4.
9. Connect the green wire (G) from the unit to the ground wire from the power supply using the third wire connector from step 4.
10. Reposition the wire access covers over the wires and connectors and attach to fireplace chassis using the screws removed in step 2.
11. Refer to Front Glass Installation section for final installation procedures.

For Bathroom Use


If this unit is installed in a bathroom it must be protected by a GFI receptacle or circuit. If receptacle is used it must be readily accessible.


To prevent electrical shock this unit is an electrical appliance that is **NOT** watertight and must be installed as to prevent water from entering unit. This must be installed away from showers, tubs, etc. Never locate fireplace where it may fall into a bathtub or other water container.

Surface Mount Installation

 **CAUTION:** Two people may be required for various steps of this procedure.

1. Choose your method of supplying power to the unit:
 - Plug in to an existing outlet or install an outlet nearby.
 - Hard wire the fireplace. Follow the hard wiring instructions on page 8.

 **WARNING:** Do not attempt to wire your own new outlets or circuits. To reduce the risk of fire, electric shock or injury to persons, always use a licensed electrician.

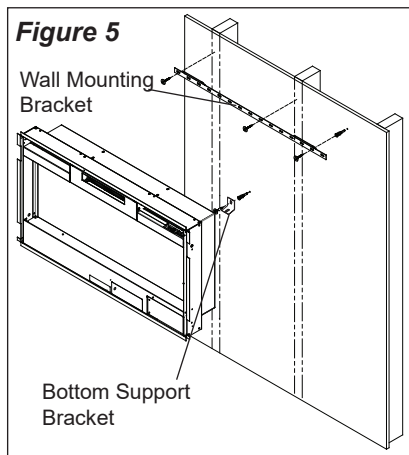
 **WARNING:** Ensure that the circuit on which the fireplace is to be installed has the power cut off at the service panel until installation is complete.

2. Determine the mounting location of the unit so that the wall mounting bracket can be installed into 2 wall studs.

! **NOTE:** It is recommended that the mounting bracket be installed 56 in. (142 cm) off of the ground to maintain an optimized viewing angle of the flame.

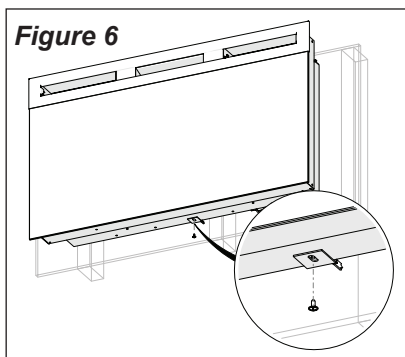
3. Hold the wall mounting bracket, with the bubble level on the top, on the wall so that the bubble on the level is centered between the two black lines.

Fireplace Installation



4. Mark the 3 mounting screw locations, on the wall, ensuring that the wall bracket stays level. (Figure 5)
5. In locations where the screws are being installed only into drywall, install the supplied wall anchors before installing the screw (pre-drill if required).
6. Secure the wall bracket to the wall using the supplied 1½ in. (3.8 cm) mounting screws and washers into the wall and/or wall anchors.
7. Install the bottom support bracket to the wall centered with the wall mounting bracket, using the appropriate mounting hardware, 13 ¾" (350 mm) below the wall mounting bracket. (Figure 5)

8. Remove the center back screw from the bottom of the fireplace. (Figure 6)
9. Hang the fireplace from the bracket.
10. Install the removed screw through the bottom support bracket into the fireplace.
11. Refer to Front Glass Installation section for final installation procedures.



Fireplace Installation

Partial Recessed Installation - 2x4 Framing

⚠ CAUTION: Two people may be required for various steps of this procedure.

1. Prepare a wall with a framed opening of 30 ½ in. (77.5 cm) wide x 16 ½ in. (42 cm) high (Figure 7).

! NOTE: The sizing has allowed for ¼ in. (6.4 mm) around the fireplace insert for ease of installation. This fireplace does not require any additional venting.

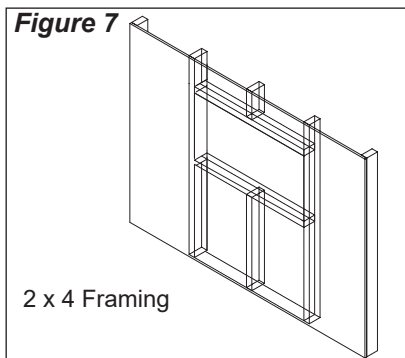
! NOTE: It is recommended that the bottom of the unit not be mounted higher than 40 in. (102 cm) from the ground to maintain an optimized viewing angle of the flame.

2. Choose your method of supplying power to the unit:
 - Plug in (you may run the power cord out of the framed wall opening to an existing outlet or install an outlet on a nearby wall stud within the wall).
 - Hard wire the fireplace (recommended). Follow the hard wiring instructions on page 8.

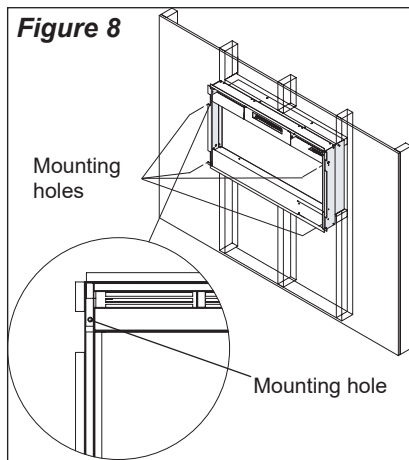
⚠ WARNING: Do not attempt to wire your own new outlets or circuits. To reduce the risk of fire, electric shock or injury to persons, always use a licensed electrician.

⚠ WARNING: Ensure that the circuit on which the fireplace is to be installed has the power cut off at the service panel until installation is complete.

3. Lift fireplace and insert into opening (Figure 8).
4. Use the supplied bubble level to level the fireplace within the framing, adjust as required.
5. Drive four supplied mounting screws through the four mounting holes located in each corner of the fireplace chassis, into wall studs (Figure 8).
6. Refer to Front Glass Installation section for final installation procedures.



Fireplace Installation



Flush Mounted Installation - 2x8 Framing

CAUTION: Two people may be required for various steps of this procedure.

1. Prepare a wall with a framed opening of 33 in. (83.8 cm) wide x 18 ½ in. (47 cm) high (Figure 9).

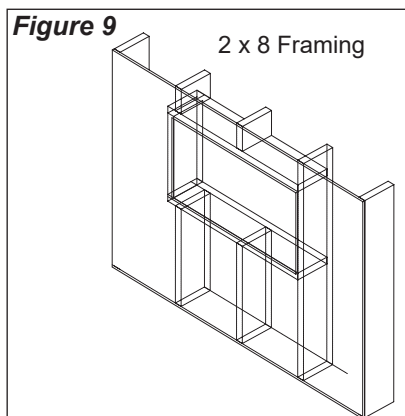
NOTE: The sizing has allowed for ¼ in. (6.4 mm) around the fireplace insert for ease of installation. This fireplace does not require any additional venting.

NOTE: It is recommended that the bottom of the unit not be mounted higher than 40 in. (102 cm) from the ground to maintain an optimized viewing angle of the flame.

2. Choose your method of supplying power to the unit:
 - Plug in (you may run the power cord out of the framed wall opening to an existing outlet or install an outlet on a nearby wall stud within the wall).
 - Hard wire the fireplace (recommended). Follow the hard wiring instructions on page 8.

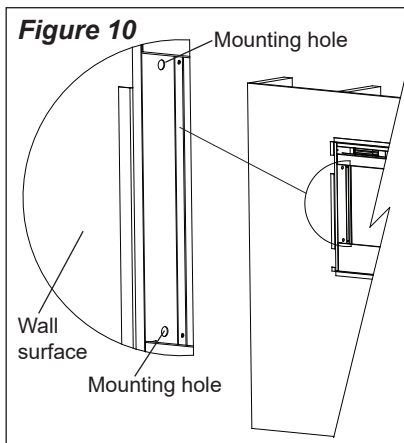
WARNING: Do not attempt to wire your own new outlets or circuits. To reduce the risk of fire, electric shock or injury to persons, always use a licensed electrician.

WARNING: Ensure that the circuit on which the fireplace is to be installed has the power cut off at the service panel until installation is complete.



Fireplace Installation

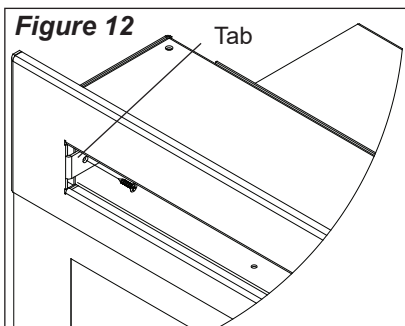
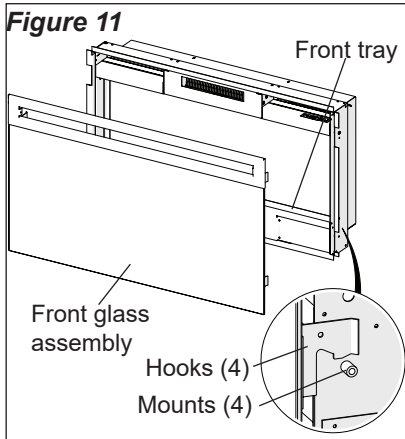
3. Lift fireplace and insert into opening. The fireplace's mounting trim should be flush against the wall (Figure 9).
4. Use the supplied bubble level to level the fireplace within the framing, adjust as required.
5. Drive four supplied mounting screws through the four mounting holes located on the inside surface of the fireplace chassis, into wall studs (Figure 10).
6. Refer to Front Glass Installation section for final installation procedures.



Fireplace Installation

Front Glass Installation

1. Pour and evenly distribute the supplied media in the Media tray of the firebox(Figure 11).
2. Carefully mount front glass assembly so that the front glass hooks hang on the front glass mounts on the fireplace (Figure 11).
3. Use the supplied two Phillips sheet metal screws to fasten the glass assembly tabs to the fireplace (Figure 12).
4. If unit is not hard-wired, plug fireplace into a 15 Amp, 120 Volt outlet (refer to NOTE 1).



👉 Operation

Figure 13

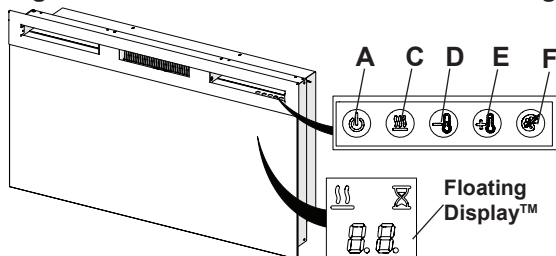
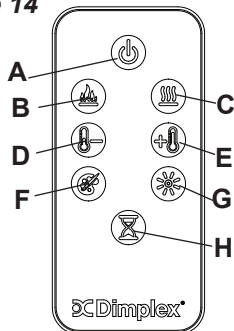


Figure 14



⚠ WARNING: This electric firebox must be properly installed before it is used.

The unit can be controlled by either the manual controls which are located on the upper right of the fireplace or the remote (Figure 13 & 14).

The fireplace is supplied with an IR multifunction remote control.

! NOTE: To operate correctly, the remote control must be pointed towards the Floating Display™.

A. Standby

Turns the unit On and Off.

→ Activated by pressing the Standby button on the remote or the unit.


- The unit will turn on with the same functions that it was set to when it was turned Off and the intake temperature will be indicated on the Floating Display™.

! NOTE: When any button is pressed the intake temperature will be displayed on the Floating

Display™ for 5 seconds.


B. Flame Effects


Turns the flame effect On and Off.

→ Activated by pressing the  button on the remote.

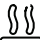
C. Heat ON/OFF

Turns the heater On and Off.

→ Activated by pressing the  button on the unit or the remote.

- Indicated by the  icon and the intake temperature being displayed on the Floating Display™, for 5 seconds before turning off.

! NOTE: After the heater is switched off, there is a 60 second fan delay, where the fan will continue running before turning off.

! NOTE: The unit can be operated in **Heat Only Mode**. When the unit is only running with the heater, the  icon will continu-



Operation



ously be displayed on the Floating Display™.

- ! **NOTE:** The heater may emit a slight, harmless odor when first used. This odor is a normal condition caused by initial heating of internal heater parts and will not occur again.

D & E. Thermostat Controls





Adjusts the temperature set point to your individual requirements. Once the desired set temperature is reached the heater will turn off. The heater will cycle on and off to maintain the desired set temperature. The default temperature setting is 72°F (22°C).

- Adjusted by pressing the  to decrease the setpoint and the  to increase the setpoint on the unit or the remote.
- The Floating Display™ will indicate the temperature setpoint as it is adjusted.

- ! **NOTE:** Holding the  and the  buttons on the manual controls down for two seconds, will change the temperature from °C to °F, or vice versa.

Disable Heat

If desired, depending on the season, the heater on the unit can be disabled. The unit will operate in the same fashion, with remainder of the controls.


Pressing the  and  buttons on the manual controls at the same time and holding for 2 seconds will disable and enable the heater. When the heater has been disabled and either the  or the  is pressed the Floating Display™ will indicate "--".

F. Color Themes

Different presets of ambient lighting color combinations contained in the unit.

- Changed by repeatedly pressing the corresponding button on the remote or the unit.
- Cycles through the different preset ambient lighting settings of the unit, this includes different combinations of colours of the flame base and media lighting.

- ! **NOTE:** The last theme of the cycle is a prism where the unit cycles through a variety of colours.

Pressing the  button stops the cycling and holds the unit on the preferred color, indicated by a "U" - Unfreeze or a "F" - Freeze on

Operation

the display.


G. Brightness

Changes the brightness of the lights in the unit.


- Adjusted by repeatedly pressing the corresponding button on the remote.
- Indicated by the second digit on the Floating Display™ changing to show: "H" (high), and "L" (low).

H. Sleep Timer

The Sleep Timer can be set to automatically shut off the fireplace after a preset time (from 30 minutes to 8 hours).

- To set the timer press the timer button on the remote, repeatedly, until the desired time is displayed.
- The Floating Display™ will display the different times as it is adjusted. Once the timer has begun, pressing the  button will display the time remaining before the unit turns Off.

! NOTE: The Sleep Timer can be cancelled at any time by pressing

the  button repeatedly until the sleep timer displays nothing.

Resetting the Temperature Cutoff Switch

Should the heater overheat, an automatic cut out will turn the whole unit off and it will not come back on without being reset. It can be reset by turning the power to the unit and waiting 5 minutes before turning the unit back on.

⚠ CAUTION: If you need to continuously reset the heater, unplug the unit and call technical support at 1-888-346-7539.

Remote Control Battery Replacement

To replace the battery:

1. Slide battery cover open on the remote control.
2. Correctly install one 3 Volt (CR2032 [longer life] or CR2025) battery in the battery holder.
3. Close the battery cover.



Battery must be recycled or disposed of properly. Check with your Local Authority or Retailer for recycling advice in your area



Maintenance

⚠ WARNING: Disconnect power before attempting any maintenance or cleaning to reduce the risk of fire, electric shock or damage to persons.

! NOTE: The fireplace should not be operated with an accumulation of dust or dirt on or in the unit, as this can cause a build up of heat and eventual damage. For this reason the heater must be inspected regularly, depending upon conditions and at least at yearly intervals.

Partially Reflective Glass Cleaning

The partially reflective glass is cleaned in the factory during the assembly operation. During shipment, installation, handling, etc., the partially reflective glass may collect dust particles; these can be removed by dusting lightly with a clean dry cloth.

To remove fingerprints or other marks, the partially reflective glass can be cleaned with a damp cloth. The partially reflective glass should be completely dried with a lint free cloth to prevent water spots. To prevent scratching, do not use abrasive cleaners.

Fireplace Surface Cleaning

Use only a damp cloth to clean painted surfaces of the fireplace. Do not use abrasive cleaners.

Servicing

Except for installation and cleaning described in this manual, an authorized service representative should perform any other servicing.



Warranty

Products to which this limited warranty applies

This limited warranty applies to your newly purchased Dimplex electric fireplace. This limited warranty applies only to purchases made in any province of Canada except for Yukon Territory, Nunavut, or Northwest Territories or in any of the 50 States of the USA (and the District of Columbia) except for Hawaii and Alaska. This limited warranty applies to the original purchaser of the product only and is not transferable.

Products excluded from this limited warranty

Light bulbs are not covered by this limited warranty and are the sole responsibility of the owner/purchaser. Products purchased in Yukon Territory, Nunavut, Northwest Territories, Hawaii, or Alaska are not covered by this limited warranty. Products purchased in these States, provinces, or territories are sold AS IS without warranty or condition of any kind (including, without limitation, any implied warranties or conditions of merchantability or fitness for a particular purpose) and the entire risk of as to the quality and performance of the products is with the purchaser, and in the event of a defect the purchaser assumes the entire cost of all necessary servicing or repair.

What this limited warranty covers and for how long

Products, other than fireplace surrounds (mantels) and trims, covered by this limited warranty have been tested and inspected prior to shipment and, subject to the provisions of this warranty, Glen Dimplex Americas warrants such products to be free from defects in material and workmanship for a period of 2 years from the date of the first purchase of such products.

Dimplex fireplace surrounds (mantels) and trims covered by this limited warranty have been tested and inspected prior to shipment and, subject to the provisions of this warranty, Glen Dimplex Americas warrants such products to be free from defects in material and workmanship for a period of 1 year from

the date of first purchase of such products.

The limited 2 year warranty period for products other than fireplace surrounds (mantels) and trims and the limited 1 year warranty period for fireplace surrounds (mantels) and trims also applies to any implied warranties that may exist under applicable law. Some jurisdictions do not allow limitations on how long an implied warranty lasts, so the above limitation may not apply to the purchaser.

What this limited warranty does not cover

This limited warranty does not apply to products that have been repaired (except by Glen Dimplex Americas or its authorized service representatives) or otherwise altered. This limited warranty does further not apply to defects resulting from misuse, abuse, accident, neglect, incorrect installation, improper maintenance or handling, or operation with an incorrect power source.

What you must do to get service under this limited warranty

Defects must be brought to the attention of Glen Dimplex Americas Technical Service by calling 1-888-346-7539, or in writing at 1367 Industrial Road, Cambridge Ontario, Canada N1R 7G8. Please have proof of purchase, catalogue/model and serial numbers available when calling. Limited warranty service requires a proof of purchase of the product.

What Glen Dimplex Americas will do in the event of a defect

In the event a product or part covered by this limited warranty is proven to be defective in material or workmanship during (i) the 2 year limited warranty period for products other than fireplace surrounds (mantels) and trims, and (ii) the 1 year limited warranty period for surrounds (mantels) and trims, you have the following rights:

- Glen Dimplex Americas will in its sole discretion either repair or replace such defective product or part without charge. If Glen Dimplex Americas is unable to repair

Warranty

or replace such product or part, or if repair or replacement is not commercially practicable or cannot be timely made, Glen Dimplex Americas may, in lieu of repair or replacement, choose to refund the purchase price for such product or part.

- Limited warranty service will be performed solely by dealers or service agents of Glen Dimplex Americas authorized to provide limited warranty services.
- For products other than surrounds (mantels) and trims, this 2 year limited warranty entitles the purchaser to on-site or in-home warranty services. Accordingly, Glen Dimplex Americas will be responsible for all labour and transportation associated with repairing or replacing the product or part except as follows: (i) charges which may be levied for travel costs incurred to travel to the purchaser's site where the product is located if the purchaser's site is beyond 30 miles (48 km) from the closest service depot of Glen Dimplex Americas's dealer or service agent; and (ii) the purchaser is solely responsible for providing clear access to all serviceable parts of the product.
- For surrounds (mantels) and trims, this 1 year limited warranty does not entitle the purchaser to on-site or in-house warranty services. The purchaser is responsible for removal and transportation of the surrounds (mantels) and trims (and any repaired or replacement product or part) to and from the authorized dealer's or service agent's place of business. On-site or in-home services for surrounds (mantels) and trims may be performed at the purchaser's specific request and expense at Glen Dimplex Americas's then current rates for such services. Glen Dimplex Americas will not be responsible for, and this limited warranty shall not include, any expense incurred for installation or removal of the surrounds (mantels) or trims or any part thereof (or any replacement product or part) including, without limitation, all shipping costs and transportation costs to and from the authorized dealer's

or service agent's place of business and all labour costs. Such costs shall be the purchaser's responsibility.

What Glen Dimplex Americas and its dealers and service agents are also not responsible for:

IN NO EVENT WILL GLEN DIMPLEX AMERICAS, OR ITS DIRECTORS, OFFICERS, OR AGENTS, BE LIABLE TO THE PURCHASER OR ANY THIRD PARTY, WHETHER IN CONTRACT, IN TORT, OR ON ANY OTHER BASIS, FOR ANY INDIRECT, SPECIAL, PUNITIVE, EXEMPLARY, CONSEQUENTIAL, OR INCIDENTAL LOSS, COST, OR DAMAGE ARISING OUT OF OR IN CONNECTION WITH THE SALE, MAINTENANCE, USE, OR INABILITY TO USE THE PRODUCT, EVEN IF GLEN DIMPLEX AMERICAS OR ITS DIRECTORS, OFFICERS, OR AGENTS HAVE BEEN ADVISED OF THE POSSIBILITY OF SUCH LOSSES, COSTS OR DAMAGES, OR IF SUCH LOSSES, COSTS, OR DAMAGES ARE FORESEEABLE. IN NO EVENT WILL GLEN DIMPLEX AMERICAS, OR ITS OFFICERS, DIRECTORS, OR AGENTS BE LIABLE FOR ANY DIRECT LOSSES, COSTS, OR DAMAGES THAT EXCEED THE PURCHASE PRICE OF THE PRODUCT.

SOME JURISDICTIONS DO NOT ALLOW THE EXCLUSION OR LIMITATION OF INCIDENTAL OR CONSEQUENTIAL DAMAGES, SO THE ABOVE LIMITATION OR EXCLUSION MAY NOT APPLY TO THE PURCHASER.

How State and Provincial law apply

This limited warranty gives you specific legal rights, and you may also have other rights which vary from jurisdiction to jurisdiction. The provisions of the United Nations Convention on Contracts for the Sale of Goods shall not apply to this limited warranty or the sale of products covered by this limited warranty.



Scan for a quick link
for customer support



1-888-346-7539 | www.dimplex.com

In keeping with our policy of continuous product improvement, we reserve the right to make changes without notice.

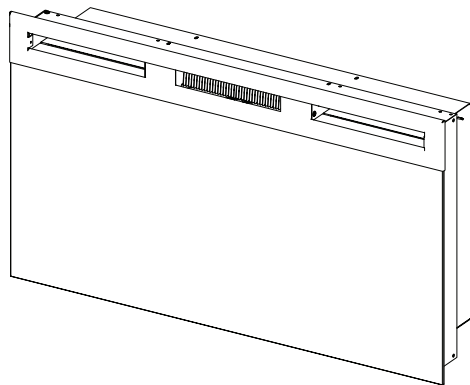
© 2019 Glen Dimplex Americas

Glen Dimplex 
AMERICAS

Enhancing the moments that matter in life



Manuel du propriétaire



Modèle
BLF3451








CONSIGNES DE SÉCURITÉ IMPORTANTES : Toujours lire le présent manuel avant d'essayer d'installer ou d'utiliser ce foyer. Pour votre sécurité, toujours respecter tous les avertissements et suivre les consignes de sécurité compris dans le présent manuel afin de prévenir les blessures ou les dommages matériels.

Pour découvrir la gamme complète de produits Dimplex, visiter www.dimplex.com

7213990100R03



Table des matières

	Bienvenue et félicitations.	3
	INSTRUCTIONS IMPORTANTES	4
	Guide de référence rapide.	6
	Installation du foyer	7
	Choix du lieu.	7
	Instructions de mise à la terre.	8
	Installation câblée.	9
	Installation en surface.	10
	Encastrement partiel dans un mur - Charpente 2x4. . .	11
	Installation du foyer en affleurement - Charpente 2x8	13
	Installation de la vitre frontale.	14
	Utilisation.	15
	Entretien	18
	Garantie.	19

Toujours recourir aux services d'un technicien qualifié ou d'une entreprise de services d'entretien pour faire réparer ce foyer.

! NOTE : Marches à suivre et techniques considérées suffisamment importantes pour qu'on les souligne.

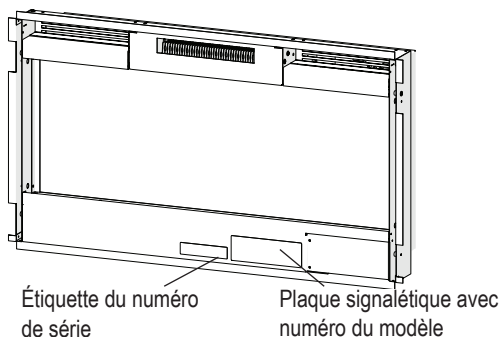
⚠ MISE EN GARDE : Marches à suivre et techniques dont le non-respect pourrait causer des dommages matériels.

⚠ AVERTISSEMENT : Marches à suivre et techniques qui, si elles ne sont pas bien respectées, exposeront l'utilisateur à des risques d'incendie, de blessure grave ou de décès.


Bienvenue et félicitations

Merci et félicitations d'avoir acheté un foyer électrique Dimplex. Veuillez utiliser notre page d'inscription en ligne pour inscrire votre modèle et vos numéros de série à des fins de référence ultérieure à l'adresse

www.dimplex.com/enregister




Lire ces consignes attentivement et les conserver.

 MISE EN GARDE: Lire attentivement toutes les consignes et tous les avertissements avant de procéder à l'installation. Le non-respect de ces consignes pourrait entraîner un risque de choc électrique ou d'incendie et annulera la garantie.

ARRÊT IL N'EST PAS NÉCESSAIRE D'ALLER AU MAGASIN

Des questions à propos de l'utilisation ou du montage? Besoin d'information sur les pièces?
Besoin d'information à propos d'un produit sous une garantie du fabricant?

Communiquer avec nous à :  **www.dimplex.com/customer_support**
Pour le dépannage et le Service d'assistance technique

OU  **Sans frais au 1-888-346-7539**

Veuillez vous rendre sur notre site Web pour les heures d'ouverture

Afin que nous puissions mieux vous servir, veuillez avoir votre modèle et votre numéro de série à portée de main ou veuillez inscrire votre produit en ligne avant de téléphoner (voir ci-dessus).

INSTRUCTIONS IMPORTANTES

Lorsqu'un appareil électrique est utilisé, il est important de toujours prendre des précautions de base pour réduire les risques d'incendie, de chocs électriques et de blessures, notamment :

- ① Lire toutes les instructions avant d'installer ou d'utiliser ce foyer électrique.
- ② Le foyer devient chaud lorsqu'il est en marche. Pour éviter les brûlures, ne pas toucher les surfaces chaudes. La bordure autour de la bouche de chaleur devient chaude lorsque les éléments chauffent.

⚠ DANGER: Des températures peuvent être produites dans certaines conditions anormales. Pas partiellement or entièrement la couverture ou obstruer l'avant de ce réchauffeur.

- ③ Faire preuve d'une grande prudence lorsque l'appareil est utilisé par des enfants ou des personnes handicapées, s'il est en marche à proximité d'eux, ou s'il est en marche et laissé sans surveillance.
- ④ Surveiller les jeunes enfants pour éviter qu'ils ne jouent avec l'appareil.
- ⑤ L'appareil ne doit pas être utilisé par des jeunes enfants ou des personnes handicapées sans surveillance.
- ⑥ Ne pas utiliser l'appareil après une défaillance. Interrompre le courant au tableau de commande et faire inspecter l'appareil par un électri-

rien qualifié avant de le réutiliser.

- ⑦ Ne pas se servir de l'appareil si la fiche ou le cordon sont endommagés, si les éléments chauffants fonctionnent mal ou si le foyer électrique est tombé ou est endommagé de quelque manière que ce soit. Communiquer avec le service technique de Dimplex au 1-888-346-7539.
- ⑧ Ne pas utiliser à l'extérieur.
- ⑨ Ne pas utiliser l'appareil à proximité d'une baignoire ou de tout autre réservoir d'eau dans lequel il pourrait tomber.
- ⑩ Pour débrancher le foyer, éteindre l'appareil avant de retirer la fiche de la prise de courant.
- ⑪ Ne pas faire passer le cordon sous un tapis. Ne pas couvrir le cordon de carpettes, de tapis de couloir ou autres recouvrements de sol. Éloigner le cordon des endroits passants et éviter de le placer là où il pourrait provoquer la chute d'une personne.
- ⑫ Ne pas installer le foyer immédiatement au-dessous d'une prise de courant fixe.
- ⑬ Ne pas introduire ou permettre l'introduction de corps étrangers dans la prise d'air de ventilation ou la bouche de sortie d'air, car cela peut occasionner des chocs électriques, provoquer un incendie ou endommager l'appareil.

⚠ INSTRUCTIONS IMPORTANTES

- ⑭ Pour éviter un incendie, ne pas obstruer les entrées ou la sortie d'air d'aucune façon.
- ⑮ Tous les appareils chauffants électriques contiennent des pièces qui peuvent produire des décharges et des étincelles. Ne pas faire fonctionner dans des endroits où de l'essence, de la peinture et autres produits inflammables sont utilisés ou rangés.
- ⑯ Se servir du foyer uniquement de la façon décrite dans le présent guide. Toute autre utilisation non recommandée par le fabricant peut causer un incendie, des chocs électriques ou des blessures.
- ⑰ Ne pas tenter de changer la fiche. Toujours brancher les appareils directement dans une prise de courant murale. Ne jamais utiliser de rallonge ou de barre d'alimentation portable.
- ⑱ Ne pas brûler de bois ni d'autres matériaux dans ce foyer électrique.
- ⑲ Ne pas frapper sur la vitre frontale du foyer.
- ⑳ Toujours faire appel à un électricien certifié pour l'installation de nouveaux circuits ou de nouvelles prises de courant.
- ㉑ Toujours se servir de prises correctement mises à la terre, polarisées et protégées.
- ㉒ Fermer toute source d'alimentation électrique de l'appareil avant de le nettoyer, de le réparer ou de le déplacer.
- ㉓ Lors du transport ou de l'entreposage de l'appareil, le conserver dans un endroit sec et à l'abri de vibrations excessives, et le ranger pour éviter qu'il ne s'endommage

⚠ AVERTISSEMENT : La télécommande contient de petites piles. Garder hors de la portée des enfants. Si elles sont avalées, consulter immédiatement un médecin.

⚠ AVERTISSEMENT : Ne pas installer les piles à l'envers, les charger, les mettre au feu ou les utiliser avec des piles usées ou un autre type de pile, car cela risque d'entraîner une explosion ou une fuite pouvant causer des blessures.

! NOTE : Les changements ou les modifications n'ayant pas fait l'objet d'une approbation expresse de la partie responsable de la conformité auront pour effet d'annuler le droit d'utilisation de l'appareil par l'utilisateur.



MISE EN GARDE

RISQUE DE CHOC ÉLECTRIQUE. NE PAS OUVRIR.
AUCUNE PIÈCE DONT L'ENTRETIEN PEUT ÊTRE EFFECTUÉ
PAR L'UTILISATEUR NE SE TROUVE À L'INTÉRIEUR



CONSERVER CES INSTRUCTIONS



Guide de référence rapide

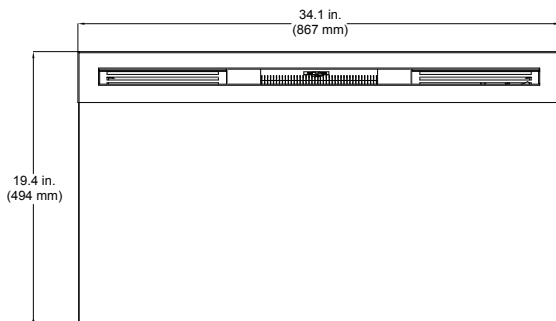
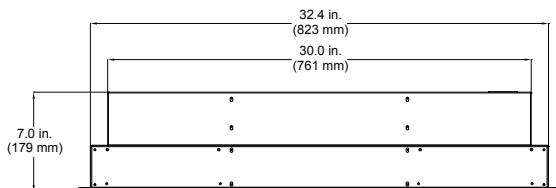
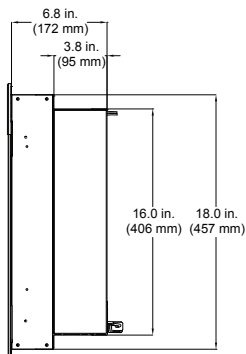
1. Les renseignements de nature électrique relatives au foyer électrique se trouvent sur la plaque signalétique située à l'avant de l'appareil, derrière la vitre.

Veuillez utiliser notre page d'inscription en ligne pour inscrire votre modèle et vos numéros de série à des fins de référence ultérieure à l'adresse

www.dimplex.com/enregister

2. Pour toute question technique ou liée à l'utilisation de votre foyer électrique, ou pour un entretien, communiquer avec le service à la clientèle au 1-888-346-7539.
3. Voir la figure 1 pour obtenir les dimensions du foyer électrique.

Figure 1



Installation du foyer

Choix du lieu

Examiner l'ensemble des conditions suivantes avant l'installation :

- Dimensions de l'appareil : 34,1 po (867 mm) x 19,4 po (494 mm)
- Pour l'installation de surface, l'appareil nécessite un minimum de 2 montants du mur afin d'assurer une installation sécuritaire. Pour d'autres méthodes d'installation, l'encadrement approprié est nécessaire.

Il y a trois méthodes de montage possibles :

- montage en surface (p. 10);
- montage encastré (p. 11);
- montage en affleurement (p. 12),

et, dans les trois cas, le foyer peut être câblé ou branché dans une prise de courant murale.

⚠ AVERTISSEMENT : Le haut du foyer doit être installé à au moins 4 po (10.2 cm) du plafond.

⚠ MISE EN GARDE : Assurer l'installation ne permet pas de foyer pour être en contact direct avec pare-vapeur de construction ou d'isolation et se réunit tous les codes du bâtiment local.

! NOTE 1 : Un circuit de 15 ampères et de 120 volts est nécessaire. Un circuit spécialisé est préférable, mais pas essentiel dans tous les cas. Un circuit spécialisé sera nécessaire si,

après l'installation, le disjoncteur se déclenche ou si le fusible saute régulièrement pendant le fonctionnement de l'appareil de chauffage. L'ajout d'appareils sur le même circuit risque d'excéder la puissance nominale du disjoncteur.

⚠ AVERTISSEMENT : Veiller à ce que le cordon d'alimentation ne soit ni coincé ni disposé contre un bord tranchant, mais rangé ou placé de façon à éviter tout risque d'accrochage susceptible de causer un incendie, des chocs électriques ou des blessures.

Afin de réduire les risques d'incendie, de chocs électriques et de blessures, tous les travaux de construction et de câblage doivent être conformes au Code du bâtiment et aux autres règlements qui s'appliquent.

⚠ AVERTISSEMENT : Pour réduire les risques d'incendie, ne pas stocker, n'utiliser d'essence ou d'autres vapeurs ou liquides inflammables à proximité du chauffe-eau.

1. Choisir un endroit approprié, à bonne distance des rideaux, des meubles et des endroits passants, et où il n'y a aucun risque d'humidité.
2. Pour faciliter le branchement électrique, installer le foyer à proximité

Installation du foyer

d'une prise de courant existante (à des fins de commodité de branchement) (voir NOTE 1).

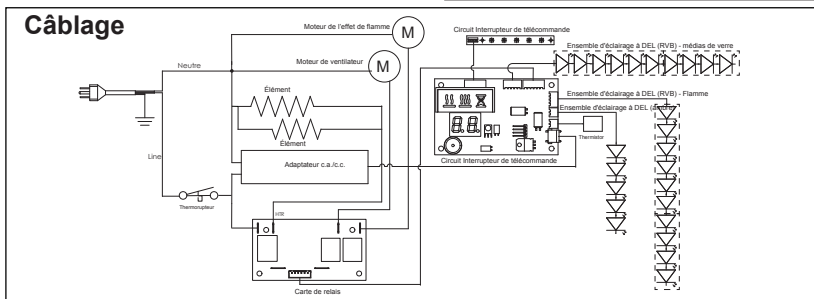
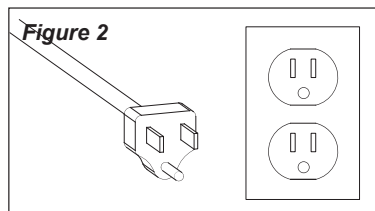
3. Retirer le foyer, la vitre et la quincaillerie de l'emballage, et retirer tous les matériaux d'emballage avant de commencer l'installation.
4. Ranger le foyer dans un endroit sûr, sec et à l'abri de la poussière jusqu'au moment de l'installation du foyer.

Instructions de mise à la terre

Cet appareil doit être mis à la terre. Advenant une défaillance ou une panne, la mise à la terre permet au courant de suivre un trajet de moindre résistance et réduit ainsi le risque de chocs électriques. Le cordon électrique de cet appareil comporte un conducteur de terre ainsi qu'une fiche à broche de terre. La fiche doit être branchée dans une prise assortie, bien installée et mise à la terre selon le code de l'électricité et les règlements municipaux.

⚠ DANGER : Si le conducteur de mise à la terre est mal branché, il y a risque de chocs électriques. Communiquer avec un électricien ou un réparateur qualifié en cas de doute sur la mise à la terre appropriée de l'appareil. Ne pas modifier la fiche; s'il est impossible de l'enfoncer dans la prise, la faire remplacer la prise par un électricien qualifié.

Cet appareil doit être alimenté par un circuit d'intensité nominale de 120 V et possède une fiche de mise à la terre qui ressemble à la fiche montrée à la figure 1. S'assurer que l'appareil est raccordé à une prise de même configuration que la fiche. N'utiliser aucun adaptateur avec cet appareil.



Installation du foyer

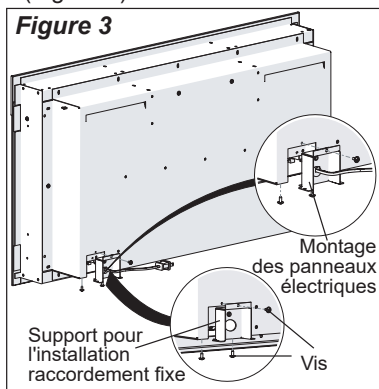
Installation câblée

Le foyer est livré avec une fiche à trois broches pour faciliter le branchement. Il est également possible d'effectuer une installation câblée.

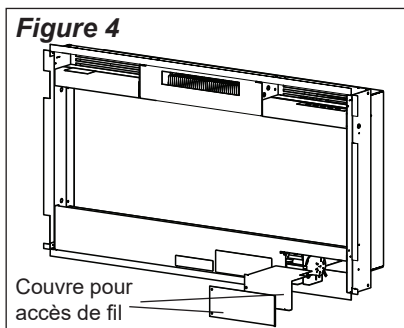
⚠ AVERTISSEMENT : Ne pas tenter d'installer de nouvelles prises ni de nouveaux circuits électriques soi-même. Pour minimiser les risques d'incendie, de choc électrique et de blessure, toujours faire appel à un électricien certifié.

⚠ AVERTISSEMENT : S'assurer que l'alimentation électrique du circuit auquel brancher le foyer est coupée tout au long de l'installation.

1. Retirer délicatement le support du cordon électrique au dos du foyer en dévissant les trois vis. (Figure 3)
2. Retirer les deux panneaux des fils électriques à l'avant de l'appareil pour accéder aux connexions. (Figure 4)



3. Extraire les fils et les connecteurs par l'ouverture arrière.
4. Dévisser les trois connecteurs à l'intérieur du coffret de branchement et séparer les fils.
5. Installer le support de câblage fourni (avec orifice pour fil de 1/2 po) dans le foyer. (Figure 3)
6. En laissant un jeu minimal de 3 po (7,6 cm), faire passer les fils d'alimentation électrique dans l'orifice du panneau électrique et les fixer avec un serre-câble (non inclus).
7. Raccorder le fil noir (L) de l'appareil à la source d'alimentation électrique à l'aide d'un des connecteurs retirés à l'étape 4.
8. Raccorder le fil bleu et le fil blanc (N) de l'appareil au fil neutre de la source d'alimentation à l'aide du deuxième connecteur retiré à l'étape 4.
9. Raccorder le fil vert (G) de l'appareil au fil terre de la source



Installation du foyer

d'alimentation à l'aide du troisième connecteur retiré à l'étape 4.

10. Remettre en place les panneaux sur les fils et les connecteurs, et les fixer au châssis du foyer à l'aide des vis retirées à l'étape 2.
11. Pour les procédures d'installation finales, consulter la section sur l'installation de la vitre frontale.

Installation dans une salle de bain

Si l'appareil est installé dans une salle de bain, il doit être protégé par une prise à disjoncteur de fuite à la terre. Si une prise de courant est utilisée, elle doit être facilement accessible.

Pour prévenir tout risque de chocs électriques, cet appareil électrique **NON** étanche à l'eau doit être installé de façon à éviter que de l'eau s'y infiltre. Cet appareil doit être installé loin de la douche, du bain, etc. Ne jamais installer l'appareil à un endroit où il est susceptible de tomber dans une baignoire ou dans tout autre réservoir d'eau.

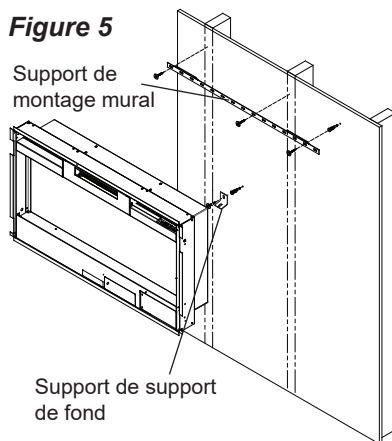
Installation en surface

⚠ MISE EN GARDE : Il faut être deux pour effectuer plusieurs étapes de cette procédure.

1. Choisir la méthode d'alimentation électrique :
 - Brancher l'appareil dans une prise existante ou installer une prise à proximité.
 - Effectuer une installation câblée du foyer. Suivre les instructions de câblage à la page 8.

⚠ AVERTISSEMENT : Ne pas tenter d'installer de nouvelles prises ni de nouveaux circuits électriques soi-même. Pour minimiser les risques d'incendie, de choc électrique et de blessure, toujours faire appel à un électricien certifié.

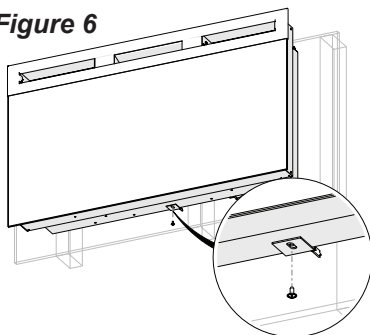
Figure 5



Installation du foyer

- ⚠ AVERTISSEMENT :** S'assurer que l'alimentation électrique du circuit auquel brancher le foyer est coupée tout au long de l'installation.
- Déterminer l'emplacement du montage de l'appareil pour que le support mural puisse être installé dans 2 montants de cloison.
 - ! NOTE :** Il est recommandé d'installer le support de montage à 56 po (142 cm) du sol afin d'obtenir une vue optimale de la flamme.
 - Tenir le support mural contre le mur pour que la bulle du niveau placé sur le dessus soit centrée entre les deux lignes noires.
 - Marquer les 3 emplacements pour les vis de montage sur le mur, en s'assurant que le support mural demeure de niveau. (Figure 5)
 - Dans les emplacements où les vis sont installées dans les cloisons sèches, placer un dispositif d'ancrage fourni avant de visser (percer d'abord au besoin).
 - Fixer le support au mur à l'aide des vis de montage de 1 1/2 po (3,8 cm), des rondelles et/ou des dispositifs d'ancrage.
 - Centrer le support inférieur sur le support mural à l'aide des pièces de quincaillerie appropriées à 13 3/4 po (350 mm) en dessous du support mural. (Figure 5)
 - Retirer la vis centrale arrière au bas du foyer. (Figure 6)
 - Suspendre le foyer sur le support.
 - Insérer la vis retirée dans le support inférieur et dans le foyer.
 - Pour les procédures d'installation finales, consulter la section sur l'installation de la vitre frontale.

Figure 6



Encastrement partiel dans un mur - Bois de charpente 2x4

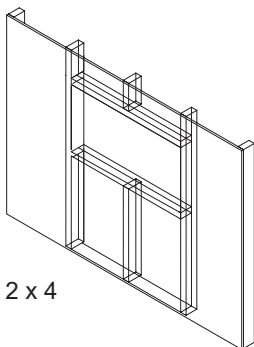
⚠ MISE EN GARDE : Il faut être deux pour effectuer plusieurs étapes de cette procédure.

- Préparer un mur avec une ouverture de 30 1/2 po (77,5 cm) de large x 16 1/2 po (42 cm) de haut (Figure 7).

! NOTE : Les dimensions prévoient un jeu de 1/4 po (6,4 mm) autour du foyer pour faciliter l'installation. Aucune ventilation supplémentaire n'est nécessaire pour ce foyer.

Installation du foyer

Figure 7



Cadre de 2 x 4

! NOTE : Il est recommandé de ne pas placer le bas de l'appareil à plus de 40 po (102 cm) du sol afin d'obtenir une vue optimale de la flamme.

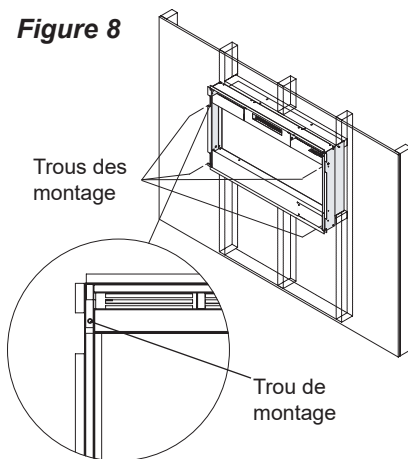
2. Choisir la méthode d'alimentation électrique :
 - Prise de courant (faire passer le cordon d'alimentation par l'ouverture du mur vers une prise existante ou installer une nouvelle prise sur un montant de cloison dans le mur).
 - Câblage (recommandé). Suivre les instructions de câblage à la page 8.

⚠ AVERTISSEMENT : Ne pas tenter d'installer de nouvelles prises ni de nouveaux circuits électriques soi-même. Pour minimiser les risques d'incendie, de choc électrique et de blessure, toujours faire appel à un électricien certifié.

⚠ AVERTISSEMENT : S'assurer que l'alimentation électrique du circuit auquel brancher le foyer est coupée tout au long de l'installation.

3. Soulever le foyer et l'insérer dans l'ouverture (Figure 8).
4. Utiliser le niveau à bulle (fourni) pour mettre le foyer de niveau à l'intérieur de l'ouverture; ajuster au besoin.
5. Visser quatre vis de montage fournies à travers les quatre orifices dans chaque coin du châssis du foyer, dans des montants de cloison (Figure 8).
6. Pour les procédures d'installation finales, consulter la section sur l'installation de la vitre frontale.

Figure 8



Installation du foyer

Installation du foyer en affleurement - Bois de charpente 2x8

⚠ MISE EN GARDE : Il faut être deux pour effectuer plusieurs étapes de cette procédure.

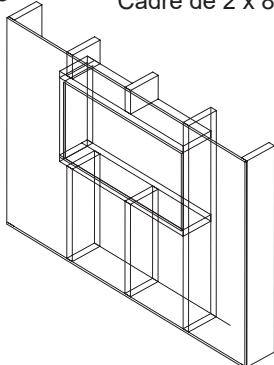
1. Préparer un mur avec une ouverture de 33 po (83,8 cm) de large x 18 1/2 po (47 cm) de haut (Figure 9).

! NOTE : Les dimensions prévoient un jeu de 1/4 po (6,4 mm) autour du foyer pour faciliter l'installation. Aucune ventilation supplémentaire n'est nécessaire pour ce foyer.

! NOTE : Il est recommandé de ne pas placer le bas de l'appareil à plus de 40 po (102 cm) du sol afin d'obtenir une vue optimale de la flamme.

2. Choisir la méthode d'alimentation électrique :

Figure 9 Cadre de 2 x 8

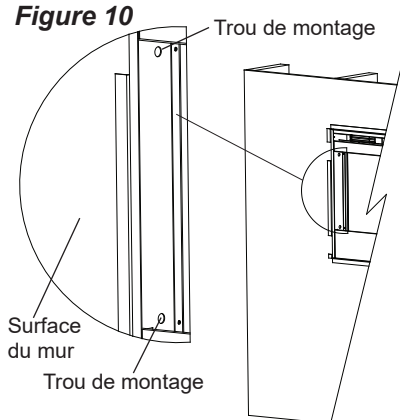


- Prise de courant (faire passer le cordon d'alimentation par l'ouverture du mur vers une prise existante ou installer une nouvelle prise sur un montant de cloison dans le mur).
- Câblage (recommandé). Suivre les instructions de câblage à la page 8.

⚠ AVERTISSEMENT : Ne pas tenter d'installer de nouvelles prises ni de nouveaux circuits électriques soi-même. Pour minimiser les risques d'incendie, de choc électrique et de blessure, toujours faire appel à un électricien certifié.

⚠ AVERTISSEMENT : S'assurer que l'alimentation électrique du circuit auquel brancher le foyer est coupée tout au long de l'installation.

Figure 10



Installation du foyer

3. Soulever le foyer et l'insérer dans l'ouverture. La bordure du foyer devrait être enlignée avec le mur (Figure 9).
4. Utiliser le niveau à bulle (fourni) pour mettre le foyer de niveau à l'intérieur de l'ouverture; ajuster au besoin.
5. Visser quatre vis de montage fournies à travers les quatre orifices de montage situés sur la paroi intérieure du châssis du foyer, dans des montants de cloison (Figure 10).
6. Pour les procédures d'installation finales, consulter la section sur l'installation de la vitre frontale.

Installation de la vitre frontale

1. Verser et étendre de manière uniforme les galets d'acrylique fournis sur la tablette avant du foyer (Figure 11).
2. Fixer l'ensemble de vitre frontale avec précaution pour que les crochets de la vitre frontale soient suspendus sur les montants de la vitre frontale du foyer (Figure 11).
3. Utiliser les deux vis à métal cruciformes fournies pour fixer le montage de la vitre au foyer (Figure 12).
4. Si le foyer n'est pas doté d'un raccordement fixe, le brancher dans une prise de 15 A, et 120 V (voir NOTE 1).

Figure 11

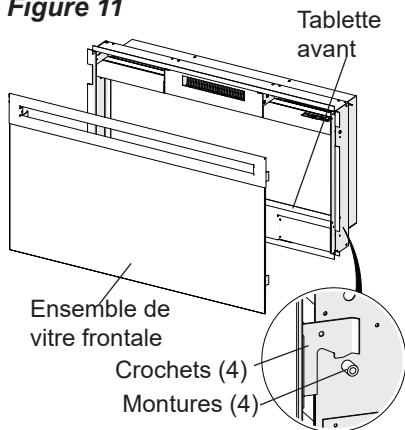
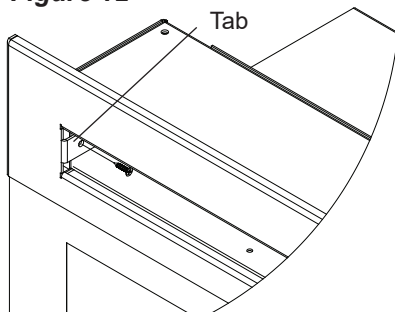


Figure 12



Utilisation

Figure 13

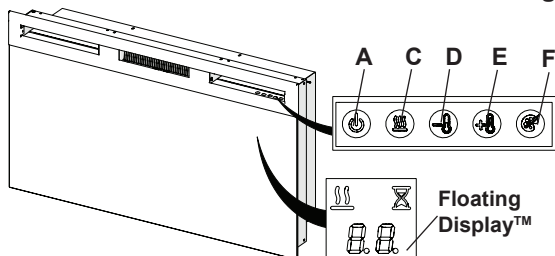
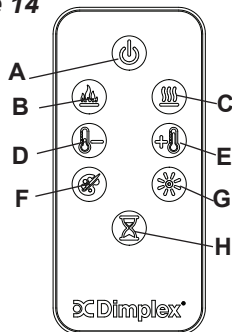


Figure 14



⚠ AVERTISSEMENT : Ce foyer électrique doit être installé correctement avant son utilisation.

L'appareil peut être commandé à l'aide des commandes manuelles situées dans la partie supérieure droite du foyer ou à distance (Figures 13 et 14).

Le foyer est livré avec une télécommande multifonction à RI.

! NOTE : Pour qu'elle fonctionne correctement, la télécommande doit être pointée vers le Floating Display^{MC}.

A. Mode veille

Met en marche et arrête l'appareil.

→ Activé en appuyant sur la touche de veille (Standby) de la télécommande ou de l'appareil.


- L'appareil se met en marche en activant les mêmes fonctions qui étaient réglées au moment de l'arrêt, et la température de l'air d'admission est indiquée à le Floa-

ting Display^{MC}.

! NOTE : À la pression de n'importe quelle touche, la température de l'air d'admission apparaît au Floating Display^{MC} pendant 5 secondes.


B. Effets de flamme

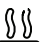
Met en marche et arrête la effets de flamme.

→ Activé en appuyant sur la touche  de la télécommande.

C. Interrupteur de chaleur

Met en marche et arrête le chaleur.

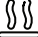
→ Activé en appuyant sur la touche  de l'appareil ou de la télécommande.

- Indiqué par l'icône  et en fonction du réglage de la température de l'air d'admission à le Floating Display^{MC}, pendant 5 secondes avant de s'arrêter.

Utilisation

! **NOTE** : Après que le chauffage est désactivé il ya un retard ventilateur 60 secondes, où le ventilateur continue de tourner avant d'éteindre.



! **NOTE** : L'appareil peut fonctionner en mode de **chauffage seulement** (sans bûches ni flammes). Lorsque l'appareil fonctionne en mode de chauffage seulement,

l'icône  et la température de l'air d'admission apparaît de façon continue à le Floating Display^{MC}.

! **NOTE** : Au cours de la première utilisation, la fonction de chauffage peut dégager une légère odeur inoffensive. Cette situation, provoquée par le chauffage initial des dispositifs de chauffage internes du foyer, est normale et ne devrait plus se produire par la suite.

D & E. Touches de commande du thermostat



Règle la température en fonction de vos besoins individuels. Une fois la température souhaitée atteinte, la fonction de chauffage s'arrêtera. Cette dernière se réactivera et se désactivera par cycles afin de maintenir la température souhaitée. Par défaut, la température réglée est de 22 °C (72 °F).

→ Réglé en appuyant sur  pour diminuer le réglage et sur 

pour augmenter au moyen de l'appareil ou de la télécommande.



- Le Floating Display^{MC} indique le réglage de température.

! **NOTE** : Maintenir enfoncée la

touche  et la touche  sur les commandes manuelles pendant deux secondes pour faire alterner les échelles de température entre les degrés °C et °F.

Désactivation de la fonction de chauffage

Si désiré, selon la saison, la fonction de chauffage de l'appareil peut être désactivée. L'appareil fonctionnera normalement à l'aide des autres commandes.

En appuyant simultanément sur les touches  et  sur les commandes manuelles et en les maintenant enfoncées pendant 2 secondes, la fonction de chauffage se désactive et se réactive. Lorsque la fonction de chauffage est désactivée et que


la touche  ou  est pressée, l'afficheur frontal indique "--".

F. Thèmes de couleurs

L'appareil comporte différentes combinaisons d'éclairage ambiant et de couleurs.

→ Changé en appuyant à répétition sur la touche correspondante de la télécommande ou de l'appareil.

Utilisation

- Active alternativement les différents paramètres d'éclairage ambiant de l'appareil, soit les diverses combinaisons de couleurs des ampoules bas ainsi que de l'éclairage des matériaux incandescents.
- ! **NOTE** : Le dernier thème du cycle est un prisme, ou les cycles de l'unité à travers une variété de couleurs. Appuyer sur la touche  à arrête le cycle et tient l'unité de la couleur préférée, indiquée par un "U" - débloquera ou d'un "F" - gèlera.

G. Clarté


Pour modifier la clarté de l'éclairage de l'appareil.


- Réglé en appuyant à répétition sur la touche correspondante de la télécommande.
- Indiqué par le deuxième chiffre sur le Floating Display^{MC} changer de montrer : «H» (élevée) et «L» (faible).

H. Minuterie d'arrêt automatique

La minuterie d'arrêt automatique peut être réglée pour arrêter automatiquement le foyer après un délai prédéfini (de 30 minutes à 8 heures).

- Pour régler la minuterie, presser la touche de la minuterie de la télécommande jusqu'à ce que le délai désiré s'affiche.

- L'afficheur frontal indiquera les différents délais réglés. Une fois que la minuterie se met en marche, appuyer sur la touche  pour afficher le temps résiduel avant que l'appareil ne s'arrête.

- ! **NOTE** : Il est possible d'annuler la minuterie d'arrêt automatique en tout temps en appuyant de nombreuses fois sur la touche  jusqu'à ce que la minuterie n'affiche plus rien.

Réarmement du disjoncteur du circuit de la température

En cas de surchauffe, un interrupteur éteindra automatiquement l'appareil, qui ne pourra être remis en marche tant que le disjoncteur n'aura pas été réarmé. Il peut être remis à zéro en coupant l'alimentation à l'unité et attendre 5 minutes avant de remettre l'appareil en marche.

- ! **MISE EN GARDE** : S'il est nécessaire de réarmer constamment l'appareil, le débrancher et communiquer avec le Service d'assistance technique au 1 888 346-7539.

Remplacement de la pile de la télécommande

Pour remplacer la pile :

1. Ouvrir le compartiment à pile situé sur la télécommande.
2. Installer correctement une pile de

Utilisation

3 volts (CR2032 [plus la vie] ou CR2025) dans le compartiment à pile.

3. Refermer le compartiment à pile.



La batterie doit être recyclés ou éliminés de façon appropriée. Vérifiez auprès de votre municipalité ou votre revendeur

pour obtenir des conseils dans votre région.



Entretien

⚠ AVERTISSEMENT : Débrancher l'appareil et chaufferette refroidie avant tout entretien ou nettoyage afin de réduire le risque d'incendie, de chocs électriques ou de blessures.

! **NOTE** : L'appareil ne doit pas fonctionner si de la poussière ou de la saleté se sont accumulées sur l'appareil. Cela pourrait entraîner une accumulation de chaleur qui pourrait à son tour causer des dommages. Pour cette raison, l'appareil doit être inspecté régulièrement, selon ses conditions d'utilisation, et au moins une fois par année.

Nettoyage du verre partiellement réfléchissant

Le verre partiellement réfléchissant a été nettoyé à l'usine, lors de l'assemblage. Cependant, pendant le transport, l'installation, la manipulation, etc., le verre partiellement

réfléchissant peut se couvrir de particules de poussière. Pour les faire disparaître, épousseter le verre partiellement réfléchissant à l'aide d'un chiffon propre et sec.

Pour enlever les empreintes digitales ou autres marques, nettoyer le verre partiellement réfléchissant avec un chiffon humide. Pour prévenir les taches d'eau, le verre partiellement réfléchissant doit être entièrement asséché à l'aide d'un chiffon non pelucheux. Pour prévenir les rayures, ne pas utiliser de nettoyeurs abrasifs.

Nettoyage des surfaces du foyer

Utiliser un chiffon humide pour nettoyer les surfaces peintes du foyer. Ne pas utiliser de nettoyeurs abrasifs.

Entretien

Tout type d'entretien, autre que l'installation et le nettoyage décrits dans ce manuel, doit être effectué par un représentant de service autorisé.



Garantie

Produits couverts par la présente garantie limitée

La présente garantie limitée couvre votre nouveau foyer électrique Dimplex. La présente garantie limitée couvre uniquement les achats effectués dans l'une des provinces du Canada (à l'exception du Yukon, du Nunavut et des Territoires du Nord-Ouest), ou dans l'un des 50 États américains, incluant le district fédéral de Columbia (à l'exception d'Hawaï et de l'Alaska). La présente garantie limitée est valable seulement pour l'acheteur original du produit et ne peut être transférée.

Produits non couverts par la présente garantie limitée

Les ampoules électriques ne sont pas couvertes par cette garantie limitée et sont la responsabilité exclusive du propriétaire/ de l'acheteur. Les produits achetés au Yukon, au Nunavut, dans les Territoires du Nord-Ouest, à Hawaï ou en Alaska ne sont pas couverts par la présente garantie limitée. Les produits achetés dans ces États, provinces ou territoires sont vendus TELS QUELS sans aucune garantie ni condition (y compris, notamment, toute garantie ou condition implicite de qualité marchande ou de convenance à un usage particulier), et l'acheteur doit assumer tous les risques relatifs à la qualité et au rendement des produits. En cas de défectuosité, tous les frais d'entretien et de réparation incombent à l'acheteur.

Couverture et durée de la présente garantie limitée

Les produits, autres que les manteaux et les garnitures de foyer, couverts par la présente garantie limitée ont été testés et inspectés avant l'envoi. Conformément aux dispositions de la présente garantie, Glen Dimplex Americas garantit que ces produits sont exempts de tout vice de matériau et de fabrication pour une période de deux ans à partir de la date d'achat desdits produits.

Les manteaux et les garnitures des foyers Glen Dimplex Americas couverts par la présente garantie limitée ont été testés

et inspectés avant l'envoi. Conformément aux dispositions de la présente garantie, Glen Dimplex Americas garantit que ces produits sont exempts de tout vice de matériau et de fabrication pour une période d'un an à partir de la date d'achat desdits produits.

La garantie limitée de deux ans couvrant les produits autres que les manteaux et les garnitures de foyer et la garantie limitée d'un an couvrant les manteaux et les garnitures de foyer s'appliquent également à toute garantie implicite pouvant exister en vertu des lois en vigueur. Certaines juridictions ne permettent pas de restreindre la durée d'une garantie implicite, de sorte qu'il est possible que la restriction ci-dessus ne s'applique pas à l'acheteur.

Exclusions de la présente garantie limitée

La présente garantie limitée ne couvre pas les produits qui ont été réparés (sauf par Glen Dimplex Americas ou ses représentants de service autorisés) ou autrement modifiés. Elle ne couvre pas non plus les défectuosités résultant d'un mauvais usage, d'un usage abusif, d'un accident, de négligence, d'une mauvaise installation, d'une manipulation ou d'un entretien inadéquat, ou de l'utilisation avec une source d'alimentation inadéquate.

Ce que vous devez faire pour vous prévaloir du service dans le cadre de la présente garantie limitée

Les défectuosités doivent être signalées au Service technique de Glen Dimplex Americas, par téléphone au 1 888 346-7539 ou par écrit au 1367 Industrial Road, Cambridge (Ontario) Canada, N1R 7G8. Au moment d'appeler, veuillez avoir à portée de la main une preuve d'achat, ainsi que les numéros de catalogue, de modèle et de série du produit défectueux. Vous devez avoir une preuve d'achat du produit pour vous prévaloir du service dans le cadre de la garantie limitée.

Ce que fera Glen Dimplex Americas en cas de défectuosité



Garantie

S'il s'avère qu'un produit ou qu'une pièce couverts par cette garantie limitée présentent effectivement un vice de matériau ou de fabrication pendant (i) la garantie limitée de deux ans pour les produits autres que manteaux et les garnitures de foyer, et (ii) la garantie limitée d'un an pour les manteaux et les garnitures de foyer, vous aurez alors les droits suivants :

- Glen Dimplex Americas pourra, à sa seule discrétion, réparer ou remplacer sans frais la pièce ou le produit défectueux. Si Glen Dimplex Americas est incapable de réparer ou de remplacer ladite pièce ou ledit produit, ou si la réparation ou le remplacement n'est pas commercialement possible, ou ne peut être fait rapidement, Glen Dimplex Americas pourra, au lieu d'effectuer la réparation ou le remplacement, décider de rembourser le prix d'achat de ladite pièce ou dudit produit.
- Le service sous garantie limitée sera dispensé uniquement par des dépositaires ou agents de service de Glen Dimplex Americas autorisés à dispenser des services sous garantie limitée.
- Pour les produits autres que les manteaux et les garnitures, cette garantie limitée de deux ans donne droit à l'acheteur à des services sous garantie sur place ou à domicile. Par conséquent, Glen Dimplex Americas assumera tous les frais de main-d'œuvre et de transport liés à la réparation ou au remplacement du produit ou de la pièce, sauf pour ce qui suit : (i) des frais pourraient être facturés pour les coûts engagés pour se rendre au site de l'acheteur où le produit se trouve, si ce site est à plus de 48 kilomètres (30 milles) du centre de service le plus près d'un dépositaire ou d'un agent de service de Glen Dimplex Americas; et (ii) l'acheteur est entièrement responsable de dégager l'accès à toutes les pièces du produit susceptibles d'être réparées ou entretenues.
- Pour les manteaux et les garnitures, cette garantie limitée d'un an ne donne

pas droit à l'acheteur à des services sous garantie sur place ou à domicile. L'acheteur sera responsable de tous les frais engagés pour le retrait et le transport des manteaux et des garnitures (et de la pièce réparée ou de rechange ou du produit réparé ou de rechange) aller-retour à la place d'affaires du dépositaire ou de l'agent de service autorisé. Des services sur place ou à domicile sont offerts pour les manteaux et les garnitures à la demande expresse et aux frais de l'acheteur, au tarif en vigueur que facture Glen Dimplex Americas pour de tels services. Glen Dimplex Americas n'est pas responsable des frais engagés pour l'installation ou le retrait des manteaux ou des garnitures ou de toute pièce de ces produits (ou de tout produit ou de toute pièce de rechange) y compris, notamment, tous les frais d'expédition et de transport aller-retour à la place d'affaires du dépositaire ou de l'agent de service autorisé et tous les frais liés à la main-d'œuvre. Ces frais sont la responsabilité de l'acheteur.

Autres exclusions à la responsabilité de Glen Dimplex Americas et de ses dépositaires et agents de service :

GLEN DIMPLEX AMERICAS, SES ADMINISTRATEURS, SES GESTIONNAIRES OU SES AGENTS NE POURRONT EN AUCUN CAS ÊTRE TENUS RESPONSABLES ENVERS L'ACHETEUR OU TOUTE TIERCE PARTIE, EN VERTU DU DROIT DES CONTRATS, DU DROIT DE LA RESPONSABILITÉ CIVILE DÉLICTUELLE OU SUR TOUTE AUTRE BASE, DE COÛTS, DE PERTES OU DE DOMMAGES INDIRECTS, SPÉCIAUX, PUNITIFS, EXEMPLAIRES OU ACCESSOIRES DÉCOULANT DIRECTEMENT OU INDIRECTEMENT DE LA VENTE, DE L'ENTRETIEN, DE L'UTILISATION OU DE L'INCAPACITÉ D'UTILISATION DU PRODUIT, MÊME SI GLEN DIMPLEX AMERICAS, SES GESTIONNAIRES, SES ADMINISTRATEURS OU SES AGENTS ONT ÉTÉ INFORMÉS DE LA POSSI-



Garantie

BILITÉ DE TELS COÛTS, PERTES OU DOMMAGES, OU SI LESDITS COÛTS, PERTES OU DOMMAGES SONT PRÉVISIBLES. GLEN DIMPLEX AMERICAS, SES GESTIONNAIRES, SES ADMINISTRATEURS OU SES AGENTS NE POURRONT EN AUCUN CAS ÊTRE TENUS RESPONSABLES DE COÛTS, DE PERTES OU DE DOMMAGES DIRECTS QUI DÉPASSENT LE PRIX D'ACHAT DU PRODUIT.

CERTAINES JURIDICTIONS NE PERMETTENT PAS QUE DES EXCLUSIONS OU LIMITATIONS AUX DOMMAGES INDIRECTS OU ACCESSOIRES SOIENT APPLIQUÉES. IL SE POURRAIT DONC QUE LES EXCLUSIONS ET LIMITATIONS CI-DESSUS NE S'APPLIQUENT PAS À L'ACHETEUR.

Comment les lois provinciales et d'État s'appliquent

Cette garantie limitée vous confère des droits juridiques précis, et il se peut que vous ayez d'autres droits qui varient d'une juridiction à l'autre. Les dispositions de la Convention des Nations unies sur les contrats de vente de biens ne s'appliquent pas à cette garantie limitée ou à la vente de produits couverts par cette garantie limitée.



Scanner pour un lien rapide
au soutien technique



1-888-346-7539 | www.dimplex.com

Dans le cadre de notre politique d'amélioration continue de nos produits, nous nous réservons le droit de modifier les spécifications sans préavis.

© 2019 Glen Dimplex Americas


Glen Dimplex
AMERICAS

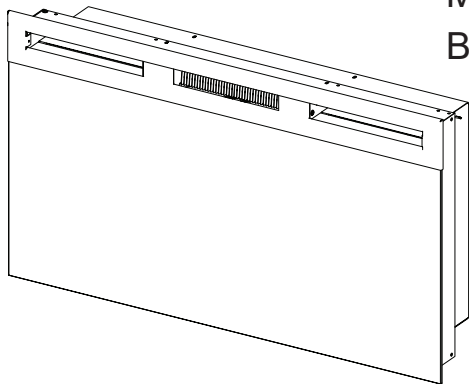
Améliorer les moments qui comptent le plus dans la vie



Manual del propietario

Modelo

BLF3451










INFORMACIÓN IMPORTANTE DE SEGURIDAD: Siempre lea este manual antes de intentar instalar o usar esta chimenea. Por su seguridad, cumpla siempre con todas las advertencias e instrucciones de seguridad que se incluyen en este manual para evitar lesiones y daños materiales.

Para consultar la lista completa de productos Dimplex, visite www.dimplex.com.

7213990100R03



Índice

	Bienvenido y felicitaciones	3
	INSTRUCCIONES IMPORTANTES.	4
	Guía de consulta rápida	6
	Instalación de la chimenea	7
	Selección de la ubicación	7
	Para conectar a tierra	8
	Instalación de la conexión alámbrica	9
	Para usarse en el baño	10
	Instalación del montaje de superficie.	11
	Instalación semi-empotrada - marco de 2x4	12
	Instalación empotrada - marco de 2x8.	14
	Instalación del cristal delantero	15
	Funcionamiento.	16
	Mantenimiento.	20
	Garantía	21

Siempre consulte con un técnico calificado o una agencia de servicio para reparar esta chimenea.

! **NOTA:** Procedimientos y técnicas importantes a tomar en cuenta.

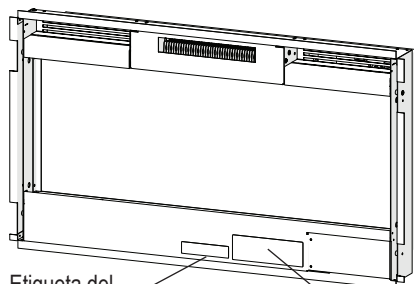
! **PRECAUCIÓN:** Procedimientos y técnicas que, si no se respetan escrupulosamente, resultará en daños el equipo.

! **ADVERTENCIA:** Procedimientos y técnicas que, si no se respetan escrupulosamente, expondrán al usuario a un riesgo de incendio, lesiones graves o la muerte.

Bienvenido y felicitaciones

Gracias y felicitaciones por haber adquirido una chimenea eléctrica Dimplex. Por favor, utilice nuestra página en línea para registrar el número de modelo y de serie para referencia futura en:


www.dimplex.com/register



Etiqueta del
número de serie

Etiqueta de clasificación con
el número de modelo

Lea atentamente y guarde estas instrucciones.

 PRECAUCIÓN: Antes de comenzar la instalación, asegúrese de leer las instrucciones y advertencias cuidadosamente. No seguir estas instrucciones podría provocar una descarga eléctrica, un incendio y la anulación de la garantía.



NO ES NECESARIO REGRESAR A LA TIENDA

¿Tiene preguntas sobre la operación o el montaje? ¿Necesita información sobre las piezas? ¿El producto está bajo la garantía del fabricante?

Comuníquese con nosotros:  **www.dimplex.com/customer_support**

Para solucionar problemas y recibir asistencia técnica




O sin cargo al 1-888-346-7539

Consulte en nuestro sitio web el horario de atención al público

A fin de proporcionarle un mejor servicio tenga a la mano el número de modelo y de serie del producto cuando llame, o regístrelos en línea. (Ver más arriba.)

INSTRUCCIONES IMPORTANTES

Cuando se usen aparatos eléctricos, deben respetarse una serie de precauciones básicas a fin de aminorar el riesgo de incendio, descarga eléctrica y lesiones personales.

- ① Lea todas las instrucciones antes de usar la chimenea sobrepuesta/empotrable.
 - ② La chimenea se pone caliente al usarla. Para evitar quemaduras, no toque las superficies calientes con la piel al aire. El material situado alrededor de la salida de aire de la chimenea se calienta durante su funcionamiento.
-  PELIGRO:** Las temperaturas altas se pueden generar bajo ciertas condiciones anormales. No parcialmente o completamente la cubierta u obstruir el frente de este calentador.
- ③ Hay que extremar la precaución cuando se use cualquier calentador de aire cerca de los niños o inválidos o bien sean ellos quienes lo manejen y siempre que se deje el aparato en funcionamiento y sin vigilancia.
 - ④ Debe vigilarse atentamente a los niños para asegurarse de que no jueguen con el aparato.
 - ⑤ El aparato no ha sido diseñado para ser manejado por niños ni personas inválidas sin supervisión.
 - ⑥ No opere ningún calentador de aire si no funciona correctamente. Desconecte la electricidad a partir del panel central y haga verificar la

unidad por un electricista acreditado antes de volver a utilizarla.

- ⑦ No haga funcionar la chimenea eléctrica si el cable de alimentación o el enchufe están dañados o si el calentador no funciona bien o si se ha caído o dañado de cualquier manera. Comuníquese con el Servicio de atención al cliente de Dimplex al 1-888-346-7539 de inmediato.
- ⑧ No lo use a la intemperie.
- ⑨ No coloque la chimenea en aquellos sitios donde pueda caer en una bañera o en cualquier otro recipiente de agua.
- ⑩ Para desconectar la chimenea, apague los controles, y luego quite el enchufe del tomacorriente o desconecte el circuito en el tablero principal de desconexión.
- ⑪ No tienda el cable debajo de alfombras. No cubra el cable con tapetes, corredores u otras alfombrillas similares. Disponga el cable lejos de las áreas transitadas y donde no ocasione un riesgo de tropiezos.
- ⑫ No sitúe el calentador debajo de un tomacorriente o una caja de conexión fija.
- ⑬ No inserte ni permita que ningún objeto entre en los orificios de ventilación o de escape, ya que esto puede provocar una descarga eléctrica o un incendio, o bien ocasionar daños al calentador.
- ⑭ Para evitar cualquier posible

⚠️ INSTRUCCIONES IMPORTANTES

incendio, no bloquee la entrada ni la salida de aire bajo ninguna circunstancia.

- ⑮ Todos los calentadores contienen piezas calientes que provocan chispas o arcos eléctricos. No lo utilice en zonas en las que se empleen o almacene gasolina, pintura o líquidos inflamables.
- ⑯ Utilícese la chimenea eléctrica sólo como se indica en este manual. Cualquier otro uso que no haya sido recomendado por el fabricante puede provocar un incendio, una descarga eléctrica o lesiones físicas.
- ⑰ No cambie el enchufe bajo ningún concepto. Siempre enchufe los calentadores de aire directamente a una toma corriente de pared/enchufe. No utilice nunca un cable de extensión ni una conexión eléctrica relocizable (toma de corriente/barra de alimentación).
- ⑱ No queme madera ni otros materiales en la chimenea.
- ⑲ No golpee la parte frontal de cristal.
- ⑳ En caso de requerirse nuevos circuitos o tomacorrientes, acuda siempre a un electricista calificado.

- ㉑ Use siempre enchufes polarizados, bien puestos a tierra y dotados de fusibles.
- ㉒ Desconecte el suministro de corriente (desconecte el aparato o corte el interruptor general) antes de limpiar el aparato, mantenerlo o cambiarlo de sitio.
- ㉓ Cuando se transporten o almacenen el aparato y el cable, manténgalos en un sitio seco y libre de vibraciones excesivas, y almacenados de modo que se evite cualquier perjuicio.

⚠️ ADVERTENCIA: El control remoto contiene baterías pequeñas. Manténgalo alejado de los niños. Si se ingiere, consulte con un médico inmediatamente.

⚠️ ADVERTENCIA: No coloque las baterías al revés, no las cargue, no las incinere ni las mezcle con otro tipo de baterías ya que podrían explotar o tener fugas, ocasionando lesiones.

! NOTA: Los cambios o las modificaciones que no hayan sido expresamente aprobados por el responsable del cumplimiento, podrían anular la autorización que el usuario tiene para utilizar dicha unidad.



PRECAUCIÓN
RIESGO DE DESCARGA ELÉCTRICA - NO ABRIR
NO CONTIENE PARTES QUE EL USUARIO
PUEDA REPARAR



GUARDE ESTAS INSTRUCCIONES



Guía de consulta rápida

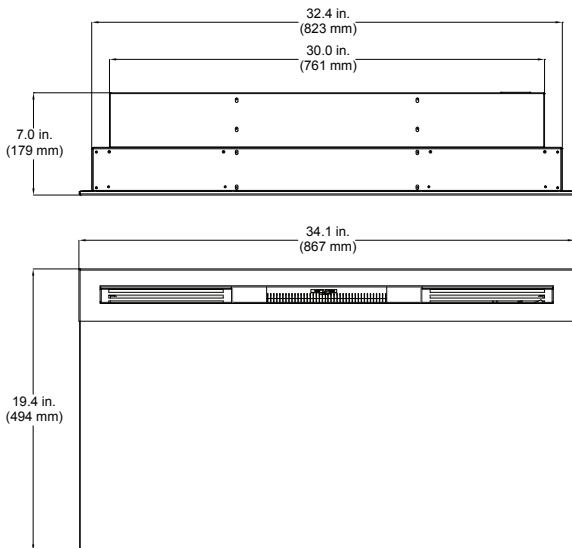
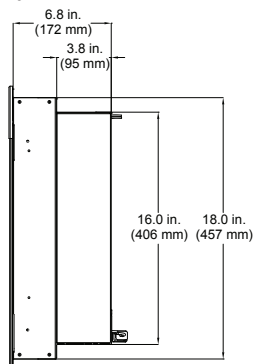
1. Toda información eléctrica sobre su chimenea eléctrica la podrá encontrar en la etiqueta de clasificación localizada al frente de la unidad, detrás del cristal.

Por favor, utilice nuestra página en línea para registrar el número de modelo y de serie para referencia futura en:

www.dimplex.com/register

2. Si tiene alguna pregunta técnica o inquietud respecto al funcionamiento de su chimenea eléctrica, o si requiere servicio técnico, comuníquese con el servicio al cliente al 1-888-346-7539.
3. Consulte la Figura 1 para obtener las dimensiones de la chimenea.

Figura 1



Instalación de la chimenea

Selección de la ubicación

Revise y tome en cuenta las condiciones siguientes antes de instalación:

- Dimensiones de la unidad: 34.1 pulgadas (867 mm) x 19.4 pulgadas. (494 mm)
- Para la instalación de la superficie, la unidad requiere un mínimo de 2 montantes de la pared con el fin de garantizar una instalación segura. Para otros métodos de instalación, se requiere encuadre adecuado.

Puede montarla de tres maneras diferentes:

- Montaje en superficie (pág. 10);
- Empotradas en la pared (pág. 11);
- Empotrada (pág. 13)

y todas cuentan con la opción de conexión alámbrica permanente o de directamente en el enchufe de pared.

⚠ ADVERTENCIA: La parte superior de la chimenea eléctrica debe ser instalada mínimo a 4 pulgadas (10.2 cm) del techo.

⚠ PRECAUCIÓN: Asegurar la instalación no permite chimenea para estar en contacto directo con barrera de vapor edificio o de aislamiento y cumple con todos los códigos de construcción local.

! NOTA 1: Se requiere un circuito de 15 amperios y 120 voltios. Es preferible disponer de un circuito exclusivo, pero no es esencial en

todos los casos. Si después de instalar el calentador, el disyuntor salta o el fusible se funde con cierta frecuencia durante el funcionamiento del calentador, podría necesitar un circuito exclusivo. Los aparatos adicionales que se conecten al mismo circuito podrían sobrepasar la capacidad nominal de corriente del disyuntor.

⚠ ADVERTENCIA: Asegúrese de que el cable eléctrico no esté instalado de manera que quede prensado o aplastado contra un borde filoso, y asegúrese también de que esté bien guardado o sujeto para evitar tropiezos o enganchones y reducir así el riesgo de incendio, descarga eléctrica o lesiones físicas.

La construcción y el cableado eléctrico del tomacorriente deben cumplir con las ordenanzas de construcción municipales y con la demás reglamentación aplicable a fin de reducir el riesgo de incendio, descarga eléctrica y lesiones físicas.

⚠ ADVERTENCIA: Para reducir el riesgo de incendios, no almacene o utilice gasolina o cualquier otro vapor o líquido inflamable cerca del calentador.

1. Seleccione un sitio adecuado que no esté expuesto a la humedad, que se encuentre alejado de corti-

✂ Instalación de la chimenea

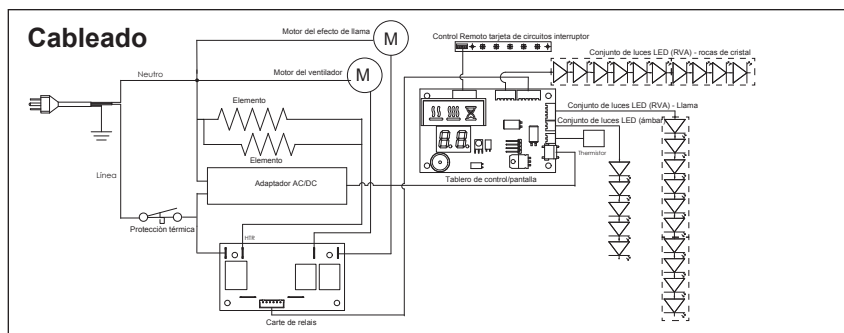
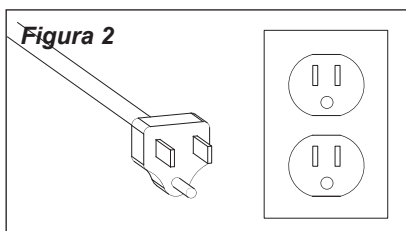
nas y mobiliario, y por el que no se pase frecuentemente.

2. Para facilitar la conexión, puede situar la chimenea cerca de un enchufe ya existente (para enchufarla fácilmente) (consulte la NOTA 1).
3. Retire la chimenea, el cristal delantero y las piezas de la caja y quite todos los materiales de empaque antes de la instalación.
4. Coloque la chimenea en un lugar seguro, seco y libre del polvo hasta que esté listo para instalarla.

Para conectar a tierra

Este producto tiene que conectarse a tierra. Si el producto no está funcionando bien o está averiado, el conectarlo a tierra proporciona una ruta de menor resistencia para que reduzca la corriente eléctrica y así disminuir el riesgo de sufrir una descarga eléctrica. Este producto incluye un cable con un conductor y un enchufe de conexión a tierra. El enchufe debe conectarse a una entrada debidamente instalada y conectada a tierra de acuerdo con los códigos y las ordenanzas locales.

⚠ PELIGRO: Si la conexión del conductor a tierra del enchufe no es

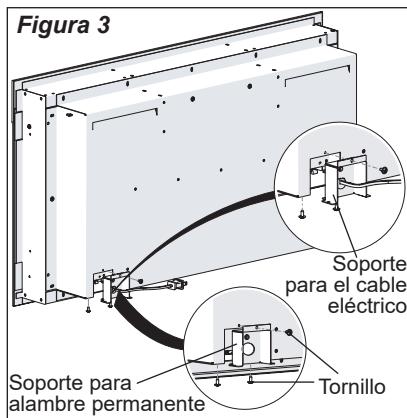


Instalación de la chimenea

la correcta corre el riesgo de sufrir una descarga eléctrica. Consulte con un electricista calificado o un técnico de servicio si no está seguro de que la conexión a tierra de este producto sea la correcta. No modifique el enchufe proporcionado del producto, si no cabe en el tomacorriente, un electricista calificado deberá instalar el tomacorriente apropiado.

Este producto está diseñado para utilizar un circuito nominal de 120v y tiene un enchufe a tierra como el que se muestra en la Figura 1. Asegúrese de que el producto esté conectado a un tomacorriente que tenga la misma configuración que el enchufe. No use ningún adaptador para este producto.

Figura 3



Instalación de la conexión alámbrica

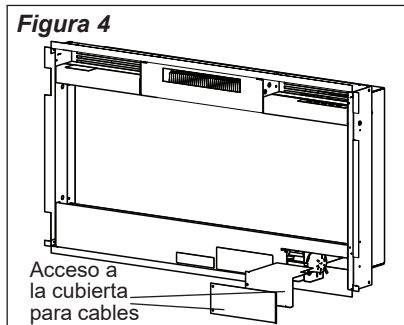
La chimenea cuenta con un enchufe de tres clavijas para enchufarlo fácilmente. Para cualquier tipo de instalación, existe la opción de una conexión alámbrica permanente.

⚠ ADVERTENCIA: No intente conectar circuitos ni tomacorrientes nuevos. Para reducir el riesgo de incendio, descarga eléctrica o lesiones físicas, acuda siempre a un electricista certificado.

⚠ ADVERTENCIA: Asegúrese de que se haya cortado la alimentación en el panel de servicio del circuito en el que se debe instalar el calentador de aire hasta finalizar la instalación.

1. Retire los tres tornillos y, con cuidado, retire el cable eléctrico de la parte trasera de la chimenea. (Figura 3)
2. Retire las dos tapas de la unidad ubicadas al frente para tener ac-

Figura 4



Instalación de la chimenea

ceso a las conexiones eléctricas. (Figura 4)

3. Tire hacia afuera los cables y conectores de la abertura trasera.
4. Destornille los tres cables conectores que se encuentran dentro de la caja eléctrica y sepárelos.
5. Instale el soporte para la conexión permanente (con el orificio del cable de ½ pulgada) hacia la cámara de combustión. (Figura 3)
6. Dejando al menos 3 pulgadas (7.6 cm) de holgura, dirija los cables del suministro eléctrico por el orificio en la tapa del soporte eléctrico y asegure con una abrazadera (no incluida).
7. Conecte el cable negro (L) proveniente de la unidad al cable bajo tensión del suministro eléctrico usando uno de los cables conectores que quitó en el paso 4.
8. Conecte los cables azules y blanco (N) proveniente de la unidad al cable neutro del suministro eléctrico usando el segundo cable conector del paso 4.
9. Conecte el cable verde (G) proveniente de la unidad al cable tierra del suministro eléctrico usando el tercer cable conector del paso 4.
10. Coloque nuevamente la tapa del soporte eléctrico sobre los cables y conectores e inserte en el chasis de la cámara de combustión con los tornillos que quitó en el

paso 2.

11. Consulte la sección de instalación del cristal delantero para conocer el proceso final de instalación.

Para usarse en el baño

Si instala esta unidad en el baño, deberá contar con un receptáculo o circuito con interruptor por fallo a tierra. Si usa un receptáculo, éste debe estar a la mano.

Esta unidad no es impermeable y debe instalarse de manera que **NO** entre en contacto con agua para evitar descargas eléctricas. Debe instalarse lejos de regaderas, tinas, etc. Nunca coloque la chimenea en sitios donde pueda caer en una bañera o en otro recipiente con agua.

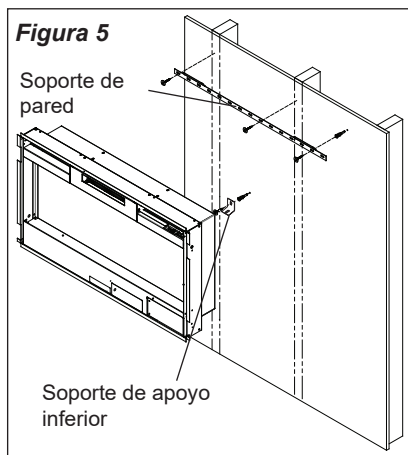
Instalación de la chimenea

Instalación del montaje de superficie

⚠ PRECAUCIÓN: Se requiere de dos personas para diferentes pasos de este procedimiento.

1. Elija el método para suministrar energía a la unidad:
 - Conectarla en un enchufe existente o instalar uno cerca de la unidad.
 - Para instalar el cableado permanente para la chimenea. Siga las instrucciones de programación en la página 8.

⚠ ADVERTENCIA: No intente conectar circuitos ni tomacorrientes nuevos. Para reducir el riesgo de incendio, descarga eléctrica o lesiones físicas, acuda siempre a un electricista certificado.

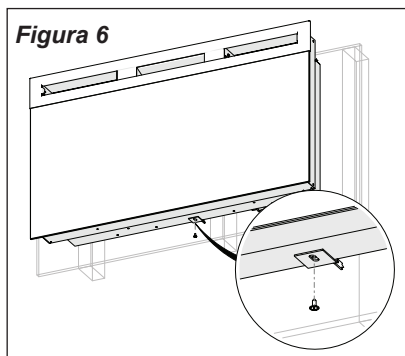


⚠ ADVERTENCIA: Asegúrese de que se haya cortado la alimentación en el panel de servicio del circuito en el que se debe instalar el calentador de aire hasta finalizar la instalación.

2. Determine en dónde se va a montar la unidad para que el soporte de pared se instale en 2 vigas.

! NOTA: Se recomienda que el soporte para la montura se instale a 56 pulgadas (142 cm) del piso para optimizar el ángulo de visión de la flama.

3. Con el nivel de burbuja en la parte superior, coloque en la pared el soporte de montaje de pared de modo que la burbuja del nivel quede centrada entre las dos líneas negras.
4. Marque las 3 posiciones de los tornillos de montaje, asegurándose de que el soporte de pared permanezca nivelado. (Figura 5)



Instalación de la chimenea

5. Instale los taquetes suministrados antes de instalar los tornillos, cuide que los tornillos se instalen en el yeso (si es necesario, perforo).
6. Asegure el soporte de pared con el tornillo de 1½ pulgadas (3.8 cm) y las arandelas de montaje suministrados en la pared y/o en los taquetes. Asegure el soporte de pared con el tornillo de 1½ pulgadas (3.8 cm) y las arandelas en la pared y/o en los taquetes.
7. Con ayuda de las herramientas de montaje adecuadas, instale el soporte inferior a la pared de modo que éste quede centrada con respecto al soporte de montaje, a 13 ¾ pulgadas (350 mm) debajo del soporte de pared. (Figura 5)
8. Retire el tornillo central de la parte posterior de la chimenea. (Figura 6)
9. Cuelgue la chimenea del soporte.
10. Instale el tornillo que quitó a través del soporte y en la chimenea.
11. Consulte la sección de instalación del cristal delantero para conocer el proceso final de instalación.

Instalación semi-empotrada - marco de 2x4

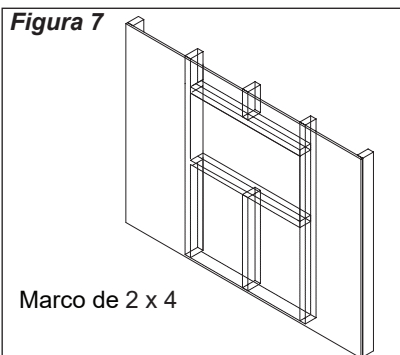
⚠ PRECAUCIÓN: Se requiere de dos personas para diferentes pasos de este procedimiento.

1. Prepare una pared con una abertura de 30 pulgadas (77.5 cm) de ancho x 16 ½ pulgadas (42 cm) de alto (Figura 7).

! NOTA: Un espacio de ¼ pulgadas (6.4 mm) permite que la instalación de la chimenea sea más fácil. Esta chimenea no requiere ventilación adicional.

! NOTA: Se recomienda que la parte inferior de la unidad no quede montada a una altura superior a 40 pulgadas (102 cm) del piso para mantener el ángulo óptimo de visualización de la flama.

2. Elija el método para suministrar energía a la unidad:



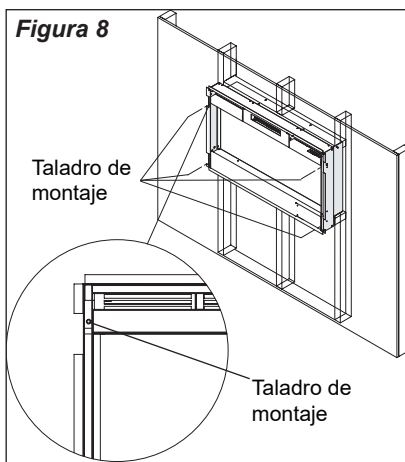
Instalación de la chimenea

- Enchufe (puede sacar el cable de alimentación fuera de la abertura del marco de la pared hacia un tomacorriente o instalar uno cerca de la viga en la pared).
- Para instalar el cableado permanente para la chimenea (recomendado). Siga las instrucciones de programación en la página 8.

⚠ ADVERTENCIA: No intente conectar circuitos ni tomacorrientes nuevos. Para reducir el riesgo de incendio, descarga eléctrica o lesiones físicas, acuda siempre a un electricista certificado.

⚠ ADVERTENCIA: Asegúrese de que se haya cortado la alimentación en el panel de servicio del circuito en el que se debe instalar el calentador de aire hasta finalizar la instalación.

3. Levante la chimenea e insértela en la abertura (Figura 8).
4. Use el nivel de burbuja suministrado para nivelar la chimenea en el marco, ajuste según sea necesario.
5. Inserte los cuatro tornillos para el montaje en los cuatro orificios localizados en cada una de las esquinas del chasis de la chimenea y luego en las vigas (Figura 8).
6. Consulte la sección de instalación del cristal delantero para conocer el proceso final de instalación.



Instalación de la chimenea

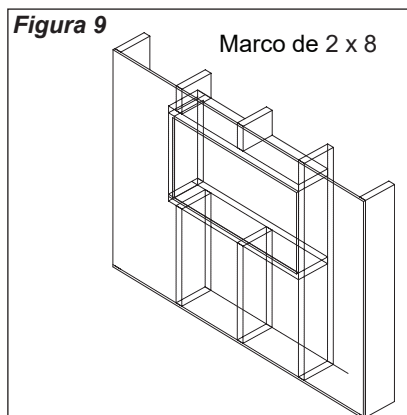
Instalación empotrada - marco de 2x8

⚠ PRECAUCIÓN: Se requiere de dos personas para diferentes pasos de este procedimiento.

1. Prepare una pared con una abertura de 33 pulgadas (83.8 cm) de ancho x 18 ½ pulgadas (47 cm) de alto (Figura 9).

! NOTA: Un espacio de ¼ pulgadas (6.4 mm) permite que la instalación de la chimenea sea más fácil. Esta chimenea no requiere ventilación adicional.

! NOTA: Se recomienda que la parte inferior de la unidad no quede montada a una altura superior a 40 pulgadas (102 cm) del piso para mantener el ángulo óptimo de visualización de la flama.



2. Elija el método para suministrar energía a la unidad:
 - Enchufe (puede sacar el cable de alimentación fuera de la abertura del marco de la pared hacia un tomacorriente o instalar uno cerca de la viga en la pared).
 - Para instalar el cableado permanente para la chimenea (recomendado). Siga las instrucciones de programación en la página 8.

⚠ ADVERTENCIA: No intente conectar circuitos ni tomacorrientes nuevos. Para reducir el riesgo de incendio, descarga eléctrica o lesiones físicas, acuda siempre a un electricista certificado.

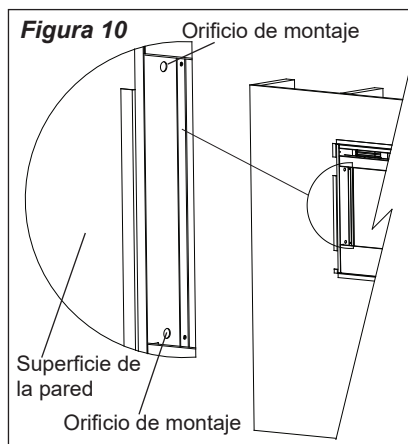
⚠ ADVERTENCIA: Asegúrese de que se haya cortado la alimentación en el panel de servicio del circuito en el que se debe instalar el calentador de aire hasta finalizar la instalación.

3. Levante la chimenea e insértela en la abertura. El borde de la montura de la chimenea debe empotrarse contra la pared (Figura 9).
4. Use el nivel de burbuja suministrado para nivelar la chimenea en el marco, ajuste según sea necesario.
5. Inserte los cuatro tornillos suministrados para el montaje en los cuatro orificios localizados dentro del chasis de la chimenea y luego

Instalación de la chimenea

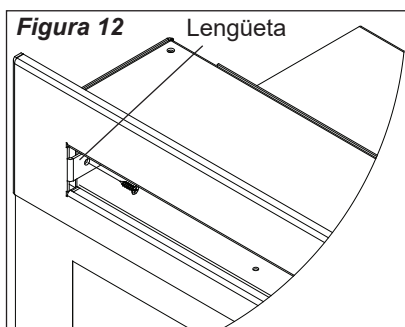
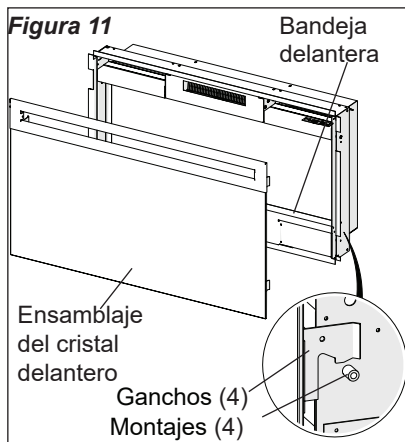
en las vigas (Figura 10).

6. Consulte la sección de instalación del cristal delantero para conocer el proceso final de instalación.



Instalación del cristal delantero

1. Vierta y distribuya de manera uniforme los medios suministrados en la bandeja de medios de la chimenea (Figura 11).
2. Monte con cuidado el ensamblaje del cristal delantero para que los ganchos del mismo se monten en el cristal delantero en la chimenea (Figura 11).
3. Use los tornillos de chapa metálica Phillips para asegurar las tablas del montaje del cristal a la chimenea (Figura 12).



4. Si no va a instalar la chimenea de manera permanente, enchufe la unidad a un tomacorriente de 15 amperios y 120 voltios (consulte la NOTA 1).

👉 Funcionamiento

Figura 13

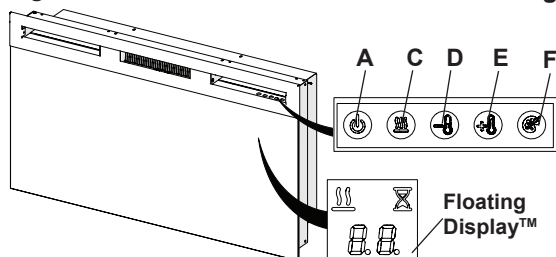
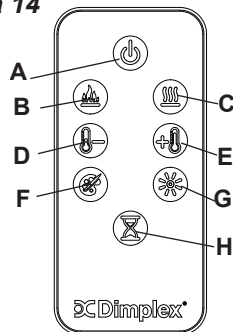


Figura 14



⚠️ ADVERTENCIA: Debe instalar la cámara de combustión eléctrica de manera adecuada antes de utilizarla.

Puede controlar la unidad por control remoto y con los controles manuales, los cuales se encuentran en la parte superior derecha de la chimenea (Figuras 13 y 14).

La chimenea incluye un control remoto multifunción IR.

! NOTA: El control remoto debe estar orientado hacia el Floating Display™ para funcionar correctamente.

A. Botón del modo de espera

Enciende y apaga la unidad

→ Se activa al presionar el botón de modo de espera en el control remoto o en la unidad.


- La unidad se encenderá con las mismas funciones que se habían

configurado antes de que se apagara y la temperatura de admisión se indicará en el Floating Display™.

! NOTA: Cuando presione algún botón, la temperatura de admisión aparecerá en el Floating Display™ durante 5 segundos.


B. Efectos de llama

Enciende y apaga la efectos de llama.

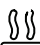
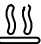
→ Se activa al presionar el botón  de modo de espera en el control remoto.

C. Calor encendido/apagado

Enciende y apaga la calor.



→ Se activa al presionar el botón  en el control remoto o en la unidad.



Funcionamiento

- Se indicará con el ícono  y la temperatura de admisión se mostrará en el Floating Display™ durante 5 segundos antes de apagarse.
- ! **NOTA:** Después de que la calor está desactivado, hay un retraso de 30 segundo ventilador, donde el ventilador continuará funcionando antes de apagarse.
- ! **NOTA:** La unidad se puede operar en modo de **sólo calor** (sin leños ni llamas). Cuando la unidad sólo funciona como calentador, el  ícono y temperatura de admisión se mostrará continuamente en el Floating Display™.
- ! **NOTA:** El calentador puede emitir un ligero olor inocuo cuando se utiliza por primera vez. Este olor es una normal y es provocado por el calentamiento inicial de las piezas internas del calentador, pero no sucederá de nuevo.

D & E. Controles del termostato

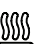

Ajusta la temperatura establecida a sus necesidades específicas. Una vez alcanzada la temperatura deseada, el calentador se apagará. El calentador realizará un ciclo de encendido y apagado para mantener la temperatura que haya establecido. El ajuste predeterminado de temperatura es de 72°F (22°C).



- Para ajustarla, presione  para disminuir la temperatura establecida y  para aumentarla en el control remoto o en la unidad.
- El Floating Display™ indicará la temperatura establecida conforme la ajuste.

- ! **NOTA:** Presione el botón  et el botón  en la unidad durante dos segundos para cambiar la temperatura de °C a °F, o vice versa.

Para desactivar el calentador

Si lo desea, dependiendo de la temporada, puede desactivar el calentador. La unidad funcionará de la misma manera, con un recordatorio de los controles.

Mantenga los botones  y  presionados en la unidad al mismo tiempo, durante 2 segundos para desactivar y activar el calentador.

- ! **NOTA:** Cuando desactive el calentador y los botones  o  estén presionados, el Floating Display™ indicará "--".

Funcionamiento


F. Temas de color

La unidad contiene varias combinaciones de colores de luz ambiental.

→ Se ajusta al presionar repetidamente el botón correspondiente en el control remoto o en la unidad.

- Varía entre los diferentes tipos de efectos de luz de la unidad, incluye varias combinaciones de colores de la luz de llama y la luz de los medios.

! NOTA: El último tema del ciclo es un prisma donde los ciclos de la unidad a través de una variedad

de colores. Al pulsar el  botón se detiene el ciclismo y mantiene la unidad en el color preferido, indicado por una "U" - Descongelar o una "F" - congela.

G. Brillo

Cambie el brillo de las luces en la unidad.

→ Se ajusta al presionar repetidamente el botón correspondiente en el control remoto.


- Indicado por el segundo dígito de la Floating Display™ cambia para mostrar: "H" (alto), "L" (bajo).

H. Temporizador de apagado automático


El temporizador de apagado automático puede configurarse para que la chimenea se apague automáticamente

después de un tiempo preestablecido (de 30 minutos a 8 horas).

→ Para configurar el temporizador, presione el botón de temporizador ya sea en el control remoto, varias veces, hasta que la hora deseada aparezca.

- El Floating Display™ indicará los diferentes tiempos conforme se vaya ajustando. Una vez que se active el temporizador, presione el botón  para mostrar el tiempo que falta para que se apague la unidad.

! NOTA: El temporizador de apagado automático puede cancelarse en cualquier momento presionando

repetidamente el botón  hasta que dicho temporizador no muestre nada en la pantalla.

Para restablecer el interruptor de corte de corriente de la temperatura

Si el calentador se sobrecalienta, un cortacircuitos lo apagará, y no se volverá a encender si no lo reconfigura. Puede volver a activarse girando el poder de la unidad y esperar 5 minutos antes de encender de nuevo la unidad.

⚠ PRECAUCIÓN: Si es necesario restablecer el calentador de manera continua, desenchufe la unidad y llame al 1-888-346-7539 para recibir asistencia técnica.

Funcionamiento

Reemplazo de la batería del control remoto

Para reemplazar la batería:

1. Deslice y abra la cubierta del compartimiento de la pila en el transmisor de mano.
2. Instale correctamente una batería de 3 voltios (CR2032 [vida más larga] o CR2025) en el compartimiento de las baterías.
3. Cierre la cubierta de la batería.



Es necesario reciclar la batería o desecharla correctamente. Consulte con las autoridades locales o con un minorista para obtener información sobre el reciclaje en su área.



Mantenimiento

⚠ ADVERTENCIA: Para reducir el riesgo de incendio, descarga eléctrica o lesiones a personas, desconecte el suministro eléctrico y permitir que el calentador se enfríe antes de intentar cualquier tipo de mantenimiento o limpieza.

! NOTA: El calentador de aire no debe ser operado si hubiera acumulación de polvo o de suciedad sobre la unidad o dentro de la misma, ya que ello puede originar una acumulación de temperatura y dañar la unidad. Por ello, el calentador de aire debe ser verificado regularmente, teniendo en cuenta las condiciones y por lo menos, una vez por año.

Limpieza del vidrio parcialmente reflectante

El vidrio parcialmente reflectante se limpia en la fábrica durante el proceso de ensamblaje. Durante el envío, la instalación, la manipulación, etc., el vidrio parcialmente reflectante puede llenarse de partículas de polvo, que pueden eliminarse limpiando ligeramente con un trapo limpio y seco.

Para quitar marcas de dedos o de otro tipo, el vidrio parcialmente reflectante puede limpiarse con un trapo húmedo. El vidrio parcialmente reflectante debe secarse completamente con un trapo sin pelusa para evitar manchas de agua. Para evitar rayones, no use limpiadores abrasivos.

Limpieza de la superficie del calentador de aire

Use sólo un trapo húmedo para limpiar las superficies pintadas del calentador de aire. No use limpiadores abrasivos.

Servicio técnico

A excepción de la instalación y la limpieza que se describen en este manual, un representante autorizado de servicio técnico debe realizar cualquier otro servicio técnico.



Garantía

Productos sobre los que se aplica esta garantía limitada

Esta garantía limitada se aplica sólo a su calentador de aire eléctrico de Dimplex de compra nueva. Esta garantía limitada se aplica sólo a las compras realizadas en cualquier provincia de Canadá, excepto en el Territorio de Yukón, Nunavut, o los Territorios del noroeste, o en cualquiera de los 50 estados de los Estados Unidos de América (incluido el Distrito de Columbia), excepto Hawái y Alaska. Esta garantía limitada se aplica al comprador original del producto únicamente y no es transferible.

Productos excluidos de esta garantía limitada

Esta garantía limitada no cubre las bombillas que son responsabilidad exclusiva del propietario/comprador. No están cubiertos por esta garantía limitada los productos comprados en el Territorio de Yukón, Nunavut, Territorios del noroeste, Hawái ni Alaska. Los productos comprados en estos estados, provincias o territorios se venden EN EL ESTADO EN EL QUE SE ENCUESTRAN, sin garantía ni condición de ningún tipo (que incluye, sin limitación, cualquier garantía implícita o condiciones de comerciabilidad o adecuación a un fin particular), y el riesgo total respecto de la calidad y del rendimiento de los productos recae en el comprador y, en el caso de algún defecto, el comprador asume todo el costo de cualquier servicio técnico o reparación necesarios.

Cobertura y duración de esta garantía limitada

Los productos, a excepción de las estructuras (mantos) y los rebordes de calentadores de aire, amparados por esta garantía limitada han sido probados e inspeccionados antes de su envío y, de acuerdo con las cláusulas de esta garantía, Glen Dimplex Americas garantiza que tales productos están libres de defectos de materiales y de fabricación durante un período de 2 años a contar desde la fecha de la primera compra de dichos

productos.

Las estructuras (mantos) y rebordes del calentador de aire Glen Dimplex Americas, amparados por esta garantía limitada han sido probados e inspeccionados antes de su envío y, de acuerdo con las cláusulas de esta garantía, Glen Dimplex Americas garantiza que tales productos están libres de defectos de materiales y de fabricación durante un período de 1 año a contar desde la fecha de la primera compra de dichos productos.

El período de garantía limitada de 2 años para los productos, a excepción de las estructuras (mantos) y los rebordes de calentadores de aire, y el período de garantía limitada de 1 año para las estructuras (mantos) y los rebordes de calentadores de aire, también se aplica a todas las garantías implícitas que pudieran existir de acuerdo con la ley aplicable. Algunas jurisdicciones no permiten limitaciones sobre la duración de una garantía implícita; por ello, es posible que la limitación antes citada no se aplique al comprador.

Lo que esta garantía limitada no cubre

Esta garantía limitada no se aplica a los productos reparados (salvo por Glen Dimplex Americas o sus representantes de servicio técnico autorizados) ni modificados de algún modo. Esta garantía limitada no se aplica a los defectos que se produzcan por mal uso, abuso, accidente, negligencia, instalación incorrecta, mantenimiento o manejo inadecuados, o funcionamiento con una fuente de alimentación incorrecta.

Lo que debe hacer para solicitar el servicio técnico amparado por esta garantía limitada

Los defectos deben ser declarados al Servicio Técnico de Glen Dimplex Americas comunicándose con Dimplex al 1-888-346-7539, o dirigiéndose a 1367 Industrial Road, Cambridge Ontario, Canadá N1R 7G8. No olvide tener el comprobante de compra y los números de serie y catálogo/modelo a la mano cuando llame. El servicio en virtud de la garantía



Garantía

limitada exige que se disponga del comprobante de compra del producto.

Lo que hará Glen Dimplex Americas en el caso de defectos

En el caso de que se demostrase que una pieza o un producto cubierto por esta garantía limitada tiene defectos de material o de fabricación durante (i) el período de 2 años de esta garantía limitada para productos, a excepción de estructuras (mantos) y rebordes de calentadores de aire y (ii) el período de 1 año de garantía limitada para estructuras (mantos) y rebordes, usted dispondrá de los siguientes derechos:

- Glen Dimplex Americas decidirá, a su exclusivo criterio, si repara o cambia la pieza o el producto defectuoso sin cargo. Si Glen Dimplex Americas no pudiera reparar ni cambiar la pieza o el producto, o si la reparación o el cambio no es comercialmente practicable o no se puede realizar de modo diligente, Glen Dimplex Americas puede, en lugar de reparar o cambiar, reintegrar el precio de compra de dicho producto o pieza.
- El servicio en virtud de la garantía limitada será realizado exclusivamente por los distribuidores o agentes de servicio técnico de Glen Dimplex Americas que hayan sido autorizados a prestar servicios en virtud de la garantía limitada.
- Para productos que no sean estructuras (mantos) y rebordes, esta garantía limitada de 2 años da derecho al comprador a recibir servicio en virtud de la garantía en el lugar de instalación o en el hogar. Por lo tanto, Glen Dimplex Americas será responsable de todos los costos de mano de obra y transporte relacionados con la reparación o el cambio del producto o la pieza, excepto según lo siguiente: (i) los cargos que puedan cobrarse por los gastos de transporte incurridos para trasladarse hasta el lugar donde se encuentra el producto adquirido por el comprador si dicho lugar está situado a una distancia

mayor de 30 millas (48 km) del depósito de servicio técnico más cercano del distribuidor o agente de servicio técnico de Glen Dimplex Americas; y (ii) el comprador es el único responsable de proporcionar acceso libre a todas las piezas del producto que pueden ser reparadas.

- Para estructuras (mantos) y rebordes, esta garantía limitada de 1 año no da derecho al comprador a recibir servicio en virtud de la garantía en el lugar de instalación o en el hogar. El comprador es responsable de retirar y transportar las estructuras (mantos) y los rebordes (y cualquier otra pieza o producto reparado o cambiado) al distribuidor autorizado o a la sede del agente de servicio técnico, y de retirarlos de este. Es posible realizar servicios técnicos para estructuras (mantos) y rebordes en el lugar de instalación o en el hogar por pedido específico y a cargo del comprador a las tarifas de Glen Dimplex Americas vigentes en ese momento para dicho servicio. Glen Dimplex Americas no se responsabiliza de, y los servicios en virtud de la garantía limitada no incluyen, ningún gasto en que se incurra para la instalación o el retiro de las estructuras (mantos), rebordes o cualquier otra parte de estos (o de cualquier producto o pieza de reemplazo) que incluyen, sin limitación, todos los costos de envío y transporte hacia y desde el distribuidor autorizado o a la sede del agente de servicio técnico y todos los costos de mano de obra. Tales costos estarán a cargo del comprador.

De lo que tampoco son responsables ni Glen Dimplex Americas ni los distribuidores ni los agentes de servicio técnico:

EN NINGÚN CASO SERÁN RESPONSABLES GLEN DIMPLEX AMERICAS, NI SUS DIRECTIVOS, EJECUTIVOS, NI AGENTES, FRENTE AL COMPRADOR O TERCEROS CONTRACTUALMENTE, EXTRA CONTRACTUALMENTE, O POR CUALQUIER OTRO CONCEPTO, DE CUALQUIER DAÑO, PÉRDIDA O COSTO



Garantía

INDIRECTO, ESPECIAL, PUNITIVO, EJEMPLARIZANTE, MEDIATO O INCIDENTAL, QUE SE PRODUZCA O ESTÉ RELACIONADO CON LA VENTA, MANTENIMIENTO, USO O IMPOSIBILIDAD DE USAR EL PRODUCTO, INCLUSO SI GLEN DIMPLEX AMERICAS O SUS DIRECTIVOS, EJECUTIVOS O AGENTES HAN SIDO AVISADOS DE LA POSIBILIDAD DE QUE SE PRODUZCAN DICHOS DAÑOS, PÉRDIDAS O COSTOS, O SI TALES DAÑOS, PÉRDIDAS O COSTOS SON PREVISIBLES. EN NINGÚN CASO SERÁN RESPONSABLES GLEN DIMPLEX AMERICAS NI SUS EJECUTIVOS, DIRECTIVOS O AGENTES DE CUALQUIER DAÑO, PÉRDIDA O COSTO DIRECTO QUE SUPERE EL PRECIO DE COMPRA DEL PRODUCTO.

ALGUNAS JURISDICCIONES NO PERMITEN LA EXCLUSIÓN O LIMITACIÓN DE DAÑOS INCIDENTALES O MEDIATOS; POR ELLO, ES POSIBLE QUE LA LIMITACIÓN O EXCLUSIÓN ANTERIOR NO SE APLIQUE AL COMPRADOR.

Aplicación de la ley estatal y provincial

Esta garantía limitada le proporciona derechos legales específicos, y es posible que usted tenga también otros derechos que varían de una jurisdicción a otra. A la venta de los productos cubiertos por esta garantía limitada no le serán de aplicación las cláusulas de la Convención de las Naciones Unidas sobre Contratos de Venta de Mercancías.



Busque un enlace rápido
para la atención al cliente



1-888-346-7539 | www.dimplex.com

De acuerdo con nuestra política de constante perfeccionamiento del producto, nos reservamos el derecho de hacer cambios sin previo aviso.

© 2019 Glen Dimplex Americas

GlenDimplex
AMERICAS

Intensificando los momentos importantes de la vida