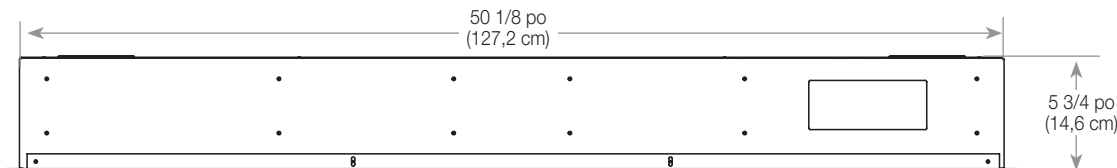




No de commande : **X-XLF50**
No de modèle : **XLF50 (Ignite 50 po)**
Remarque :

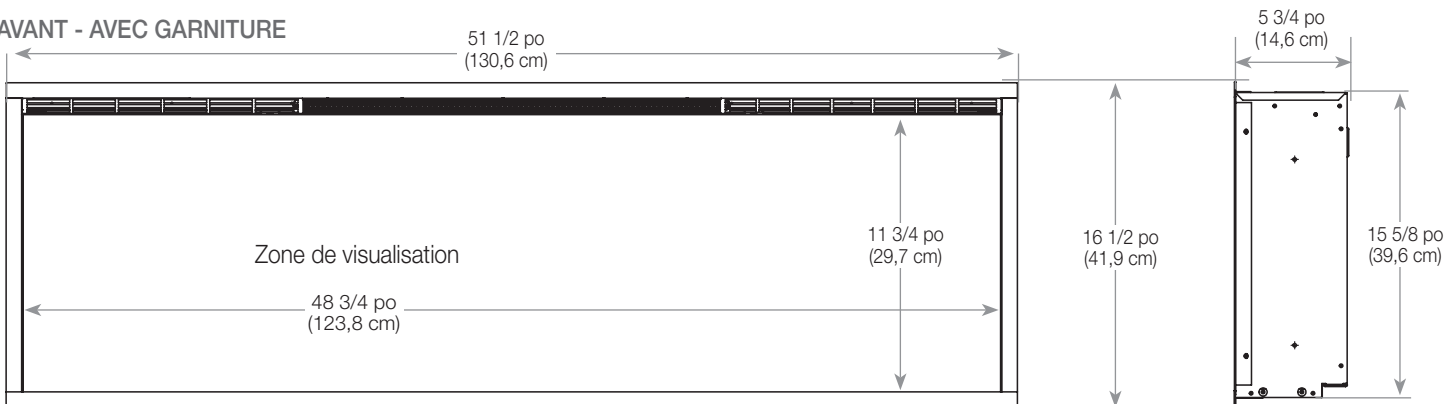
Dimensions du produit :

AVANT - PAS DE GARNITURE



S'installe sans garniture sur la pierre, la brique et d'autres matériaux de finition solides ; comprend une garniture pour les surfaces de cloisons sèches et de carreaux.

AVANT - AVEC GARNITURE



Encadrement / Installation :

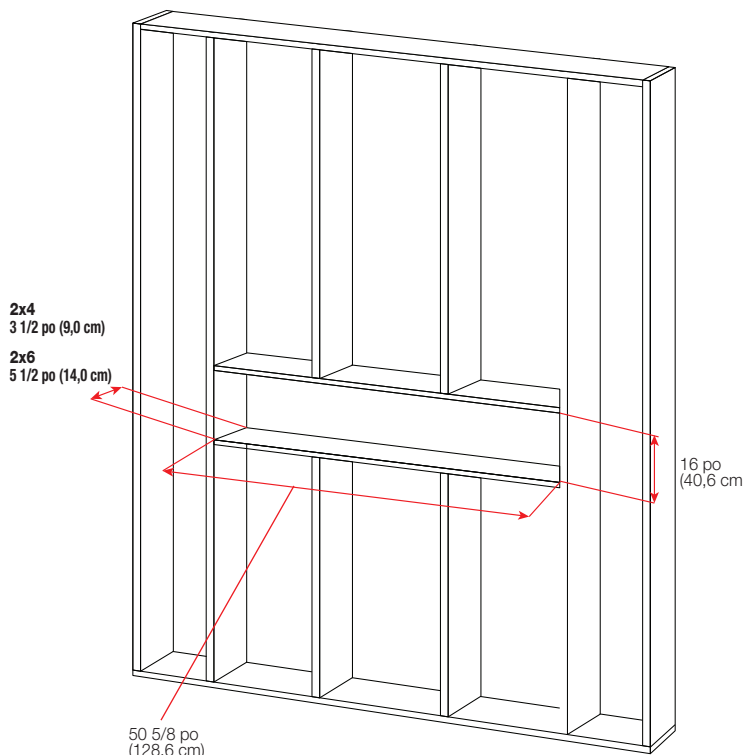
NOTE : L'installation doit être effectuée par deux personnes.

Préparer une charpente en suivant les dimensions démontrés dans la Figure 3. Le foyer peut être installé soit en encastrement partiel (planches 2x4) ou en encastrement affleurant (planches 2x6).

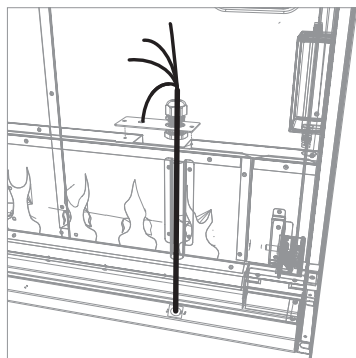
⚠ MISE EN GARDE: Les matériaux de finition décoratifs (tels que la brique) doivent être limités à un surplomb de 1/2 po (13 mm) pour assurer une circulation adéquate de l'air chauffé hors du foyer.

⚠ MISE EN GARDE: Ce foyer n'est PAS porteur. Assurer que l'ouverture du foyer est encadrée de manière à ce que le poids des matériaux de construction n'appuie pas de pression sur le dessus du foyer.

NOTE: Pour une construction avec des planches 2x4 où l'appareil sera encadrée partiellement, il est recommandé d'utiliser l'ensemble XLFTRIM (vendu séparément) pour accueillir la partie saillante du foyer.

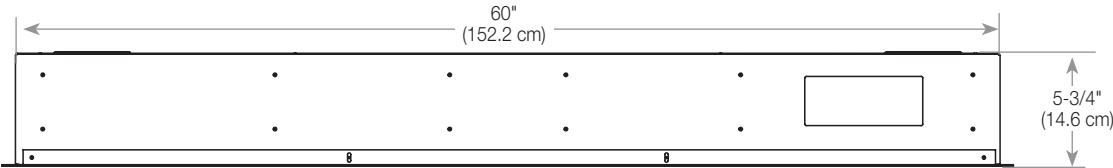


NOTE : Le câblage est effectué dans le bas du foyer sur le côté droit du foyer. Planifier la charpente pour permettre d'acheminer le câble d'alimentation vers cet emplacement.



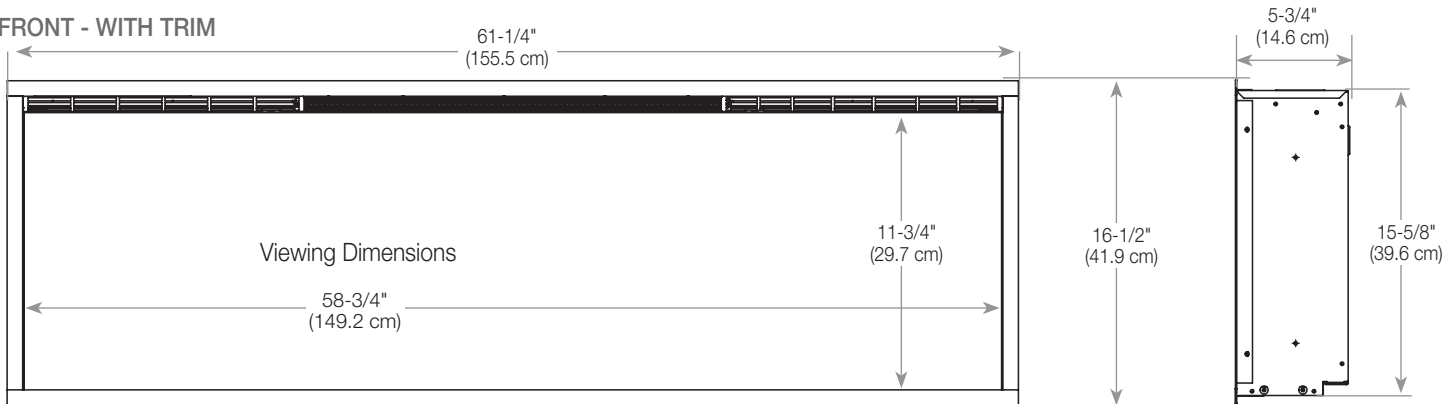
Product Dimensions:

FRONT - NO TRIM



Installs without trim to stone, brick and other solid finish materials; includes trim for drywall and tile surfaces.

FRONT - WITH TRIM



Framing / Installation:

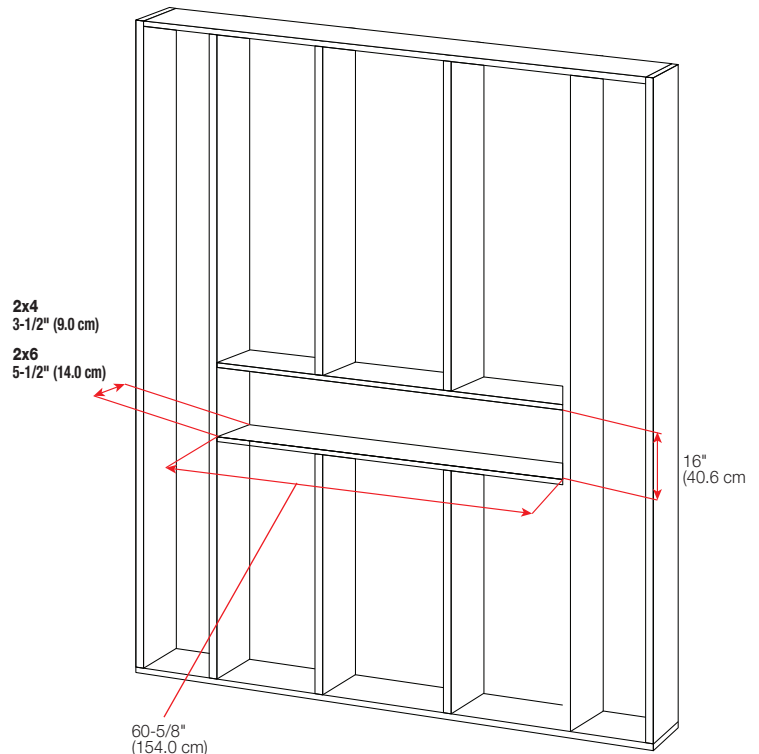
NOTE: Two people are required for installation.

Prepare a wall with a framed opening, following the dimensions shown in Figure 3. The fireplace can either be installed partially-recessed (2"x4" frame) or flush-mounted (2"x6" frame).

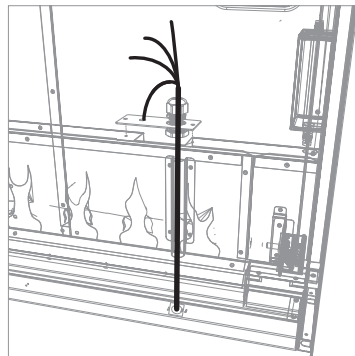
CAUTION: Decorative finishing material (such as brick) should be limited to 1/2" (13 mm) overhang to ensure adequate flow of heated air out of the firebox area.

CAUTION: This fireplace is NOT load-bearing. Ensure the opening for the fireplace is framed in such a way that the weight of the building materials will not create pressure on the top of the fireplace.

NOTE: For 2"x4" construction where the unit will be partially recessed, it is recommended to use XLFTRIM kit (sold separately) to accommodate the protruding portion of the fireplace.

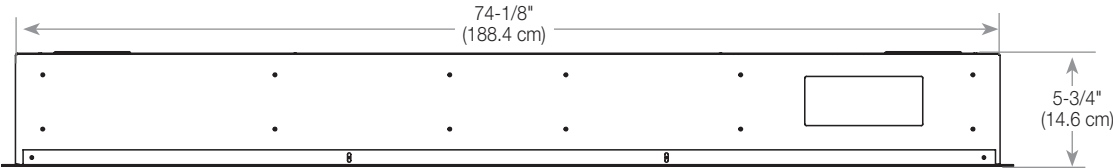


NOTE: Wiring entry is located on the right side at the bottom of the firebox. Plan the framing to allow routing of the power cable to this location.



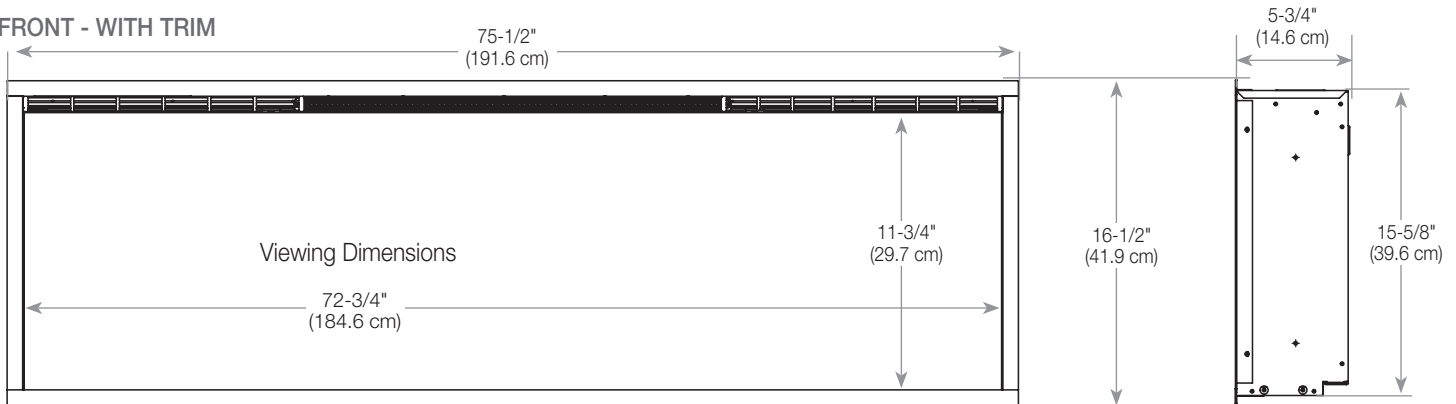
Product Dimensions:

FRONT - NO TRIM



Installs without trim to stone, brick and other solid finish materials; includes trim for drywall and tile surfaces.

FRONT - WITH TRIM



Framing / Installation:

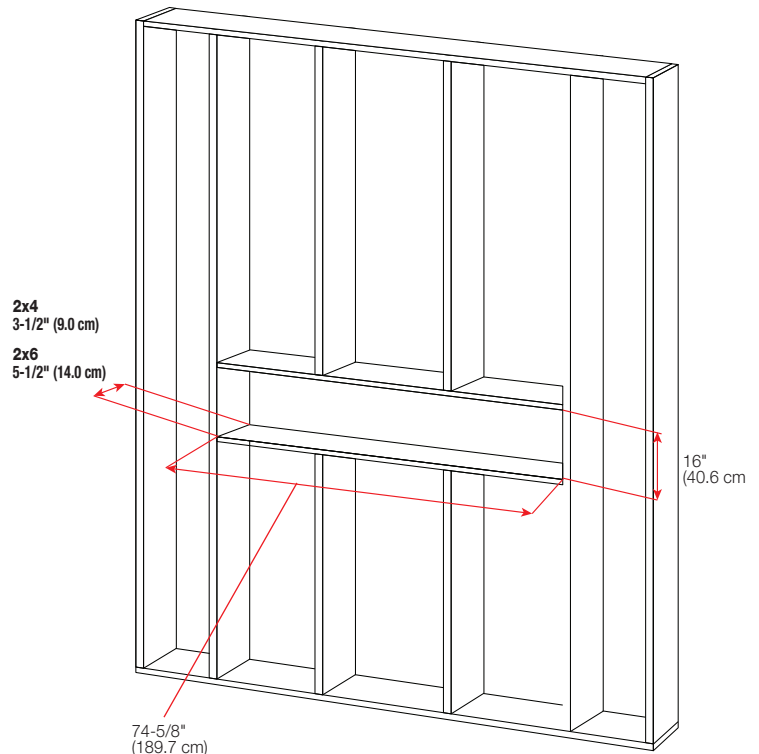
NOTE: Two people are required for installation.

Prepare a wall with a framed opening, following the dimensions shown in Figure 3. The fireplace can either be installed partially-recessed (2"x4" frame) or flush-mounted (2"x6" frame).

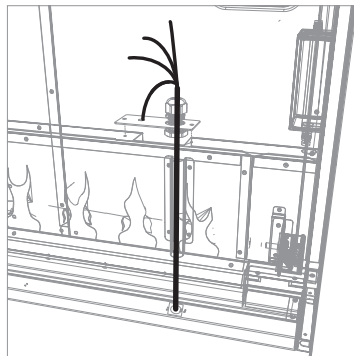
CAUTION: Decorative finishing material (such as brick) should be limited to 1/2" (13 mm) overhang to ensure adequate flow of heated air out of the firebox area.

CAUTION: This fireplace is NOT load-bearing. Ensure the opening for the fireplace is framed in such a way that the weight of the building materials will not create pressure on the top of the fireplace.

NOTE: For 2"x4" construction where the unit will be partially recessed, it is recommended to use XLFTRIM kit (sold separately) to accommodate the protruding portion of the fireplace.



NOTE: Wiring entry is located on the right side at the bottom of the firebox. Plan the framing to allow routing of the power cable to this location.



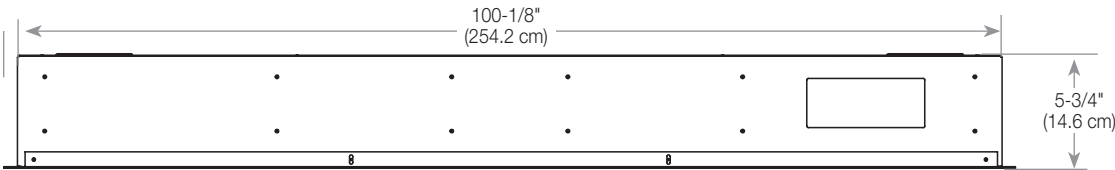


Order No. **X-XLF100**
Model No. **XLF100 (Ignite 100 inch)**

Notes:

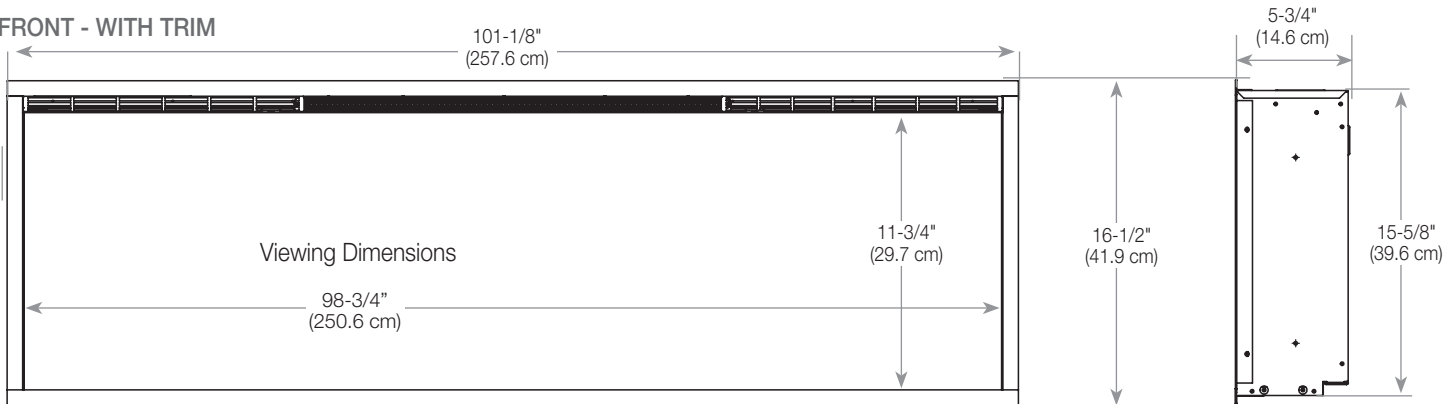
Product Dimensions:

FRONT - NO TRIM



Installs without trim to stone, brick and other solid finish materials; includes trim for drywall and tile surfaces.

FRONT - WITH TRIM



Framing / Installation:

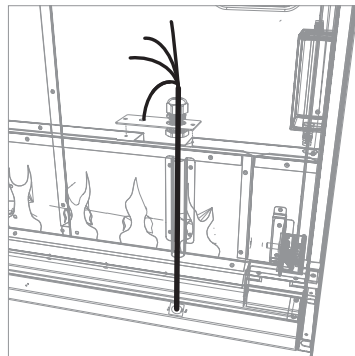
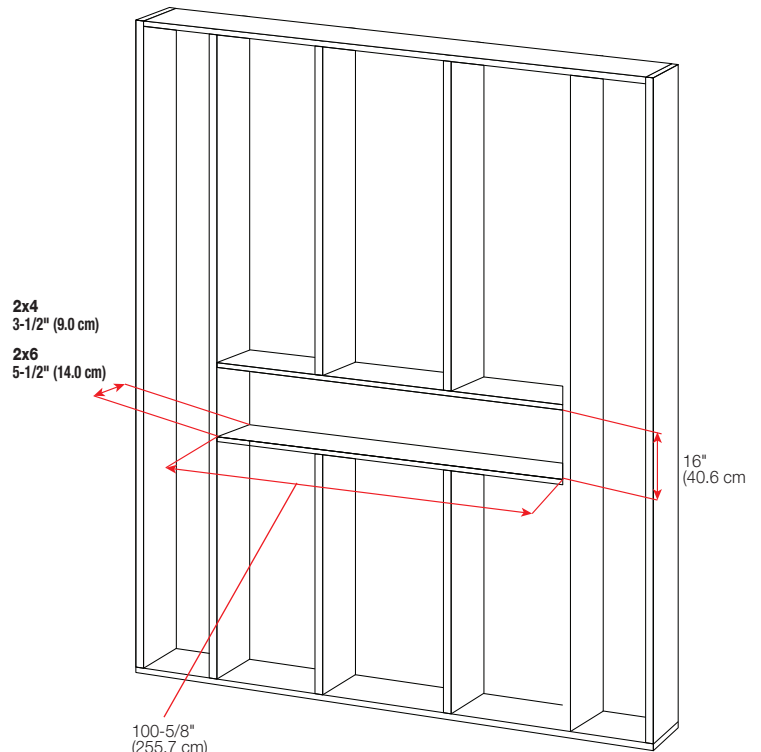
NOTE: Two people are required for installation.

Prepare a wall with a framed opening, following the dimensions shown in Figure 3. The fireplace can either be installed partially-recessed (2"x4" frame) or flush-mounted (2"x6" frame).

CAUTION: Decorative finishing material (such as brick) should be limited to 1/2" (13 mm) overhang to ensure adequate flow of heated air out of the firebox area.

CAUTION: This fireplace is NOT load-bearing. Ensure the opening for the fireplace is framed in such a way that the weight of the building materials will not create pressure on the top of the fireplace.

NOTE: For 2"x4" construction where the unit will be partially recessed, it is recommended to use XLFTRIM kit (sold separately) to accommodate the protruding portion of the fireplace.



NOTE: Wiring entry is located on the right side at the bottom of the firebox. Plan the framing to allow routing of the power cable to this location.