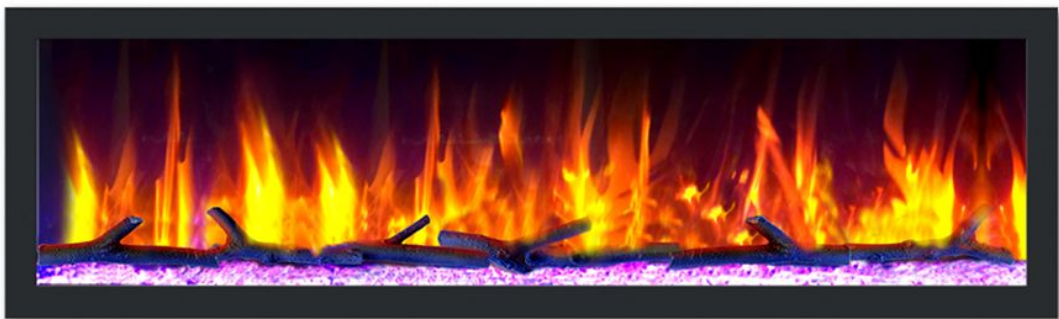




DYNASTY FIREPLACES

Installation Guide for Dynasty Fireplaces Cascade Series (DY-BTX)



WARNING & CAUTION PAGE:

PLEASE NOTE:

- Power on and test the electric fireplace unit prior to installation
- This is a general installation guide - local building codes may vary. Consult local building codes prior to installation.

Improper installation, adjustment, alteration, service or maintenance can cause injury or property damage. Refer to the product user manual. For assistance or additional information, consult a qualified installer.

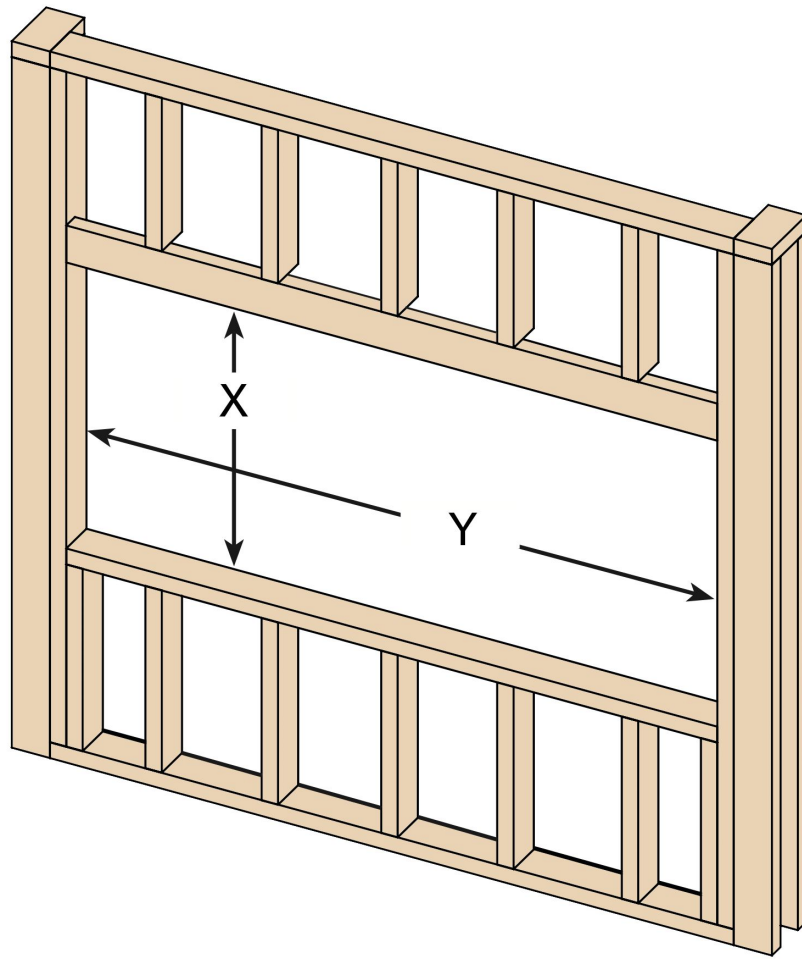
Do not insert or allow foreign objects to enter any ventilation or exhaust opening as this may cause an electric shock or fire, or damage the heater.

DO NOT run power cord under carpeting. DO NOT cover power cord with throw rugs, runners, or similar coverings. DO NOT route power cord under furniture or appliances. Arrange power cord away from traffic area, and where it will not be tripped over.

ALWAYS plug heaters directly into a wall outlet/receptacle. NEVER use with an extension cord or relocatable power tap (outlet/power strip).

NEVER plug this heater into an outlet that is old, cracked, or has any loose wires or connections. Plugging this heater into a faulty outlet could result in electric arcing within the outlet that could cause the outlet to overheat or catch fire

Cascade Series Installation Guide

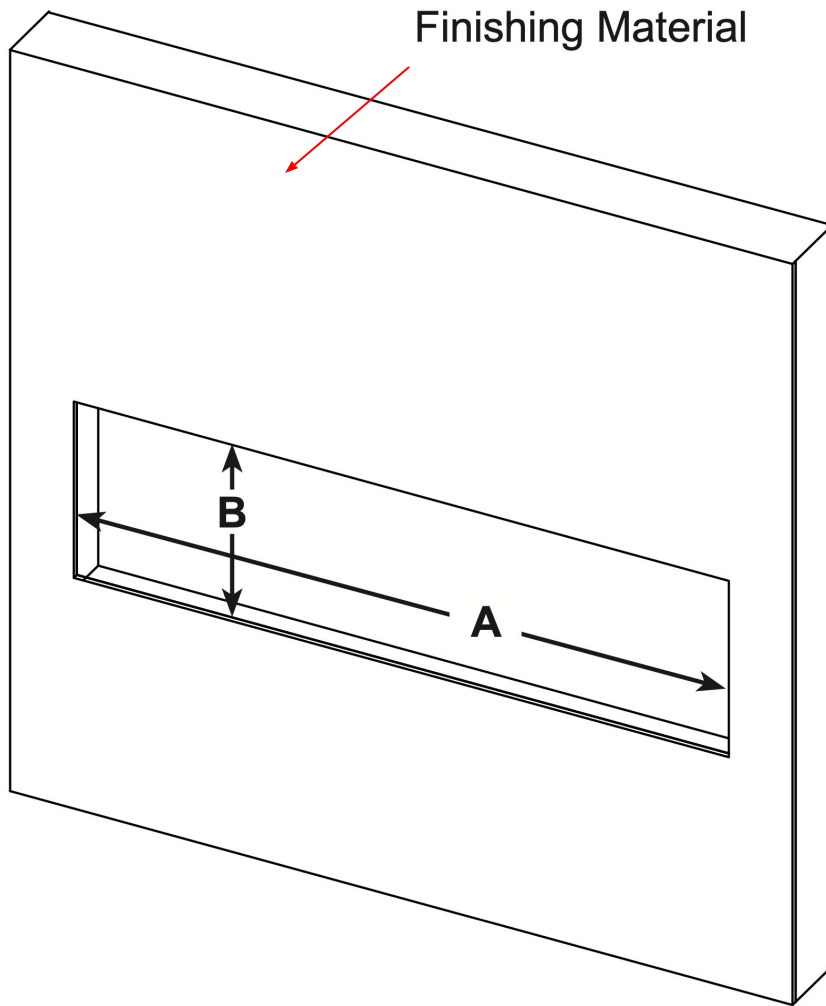


STEP 1

1. Create framing and opening according to the dimensions of your fireplace

Framing Dimensions				
Model	DY-BTX52	DY-BTX64	DY-BTX74	DY-BTX82
X	19 1/2"	19 1/2"	19 1/2"	19 1/2"
Y	48 3/4"	60 3/4"	70 3/4"	78 1/2"
Depth	6"	6"	6"	6"

Cascade Series Installation Guide



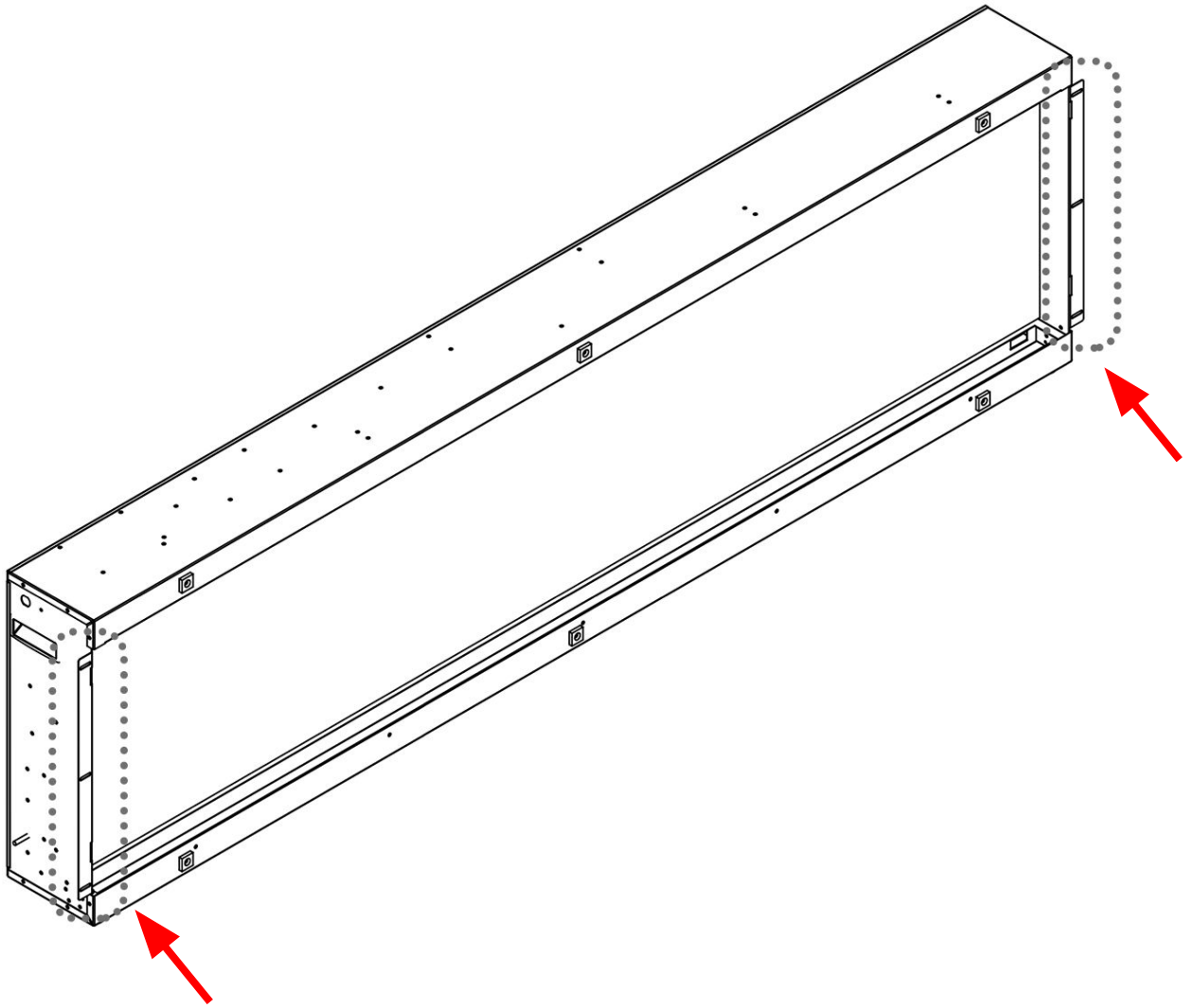
STEP 2

2. Finishing material can be applied around the opening prior to installation.

NOTE:

Ensure screws can be installed into the finishing material on the left and right of the opening

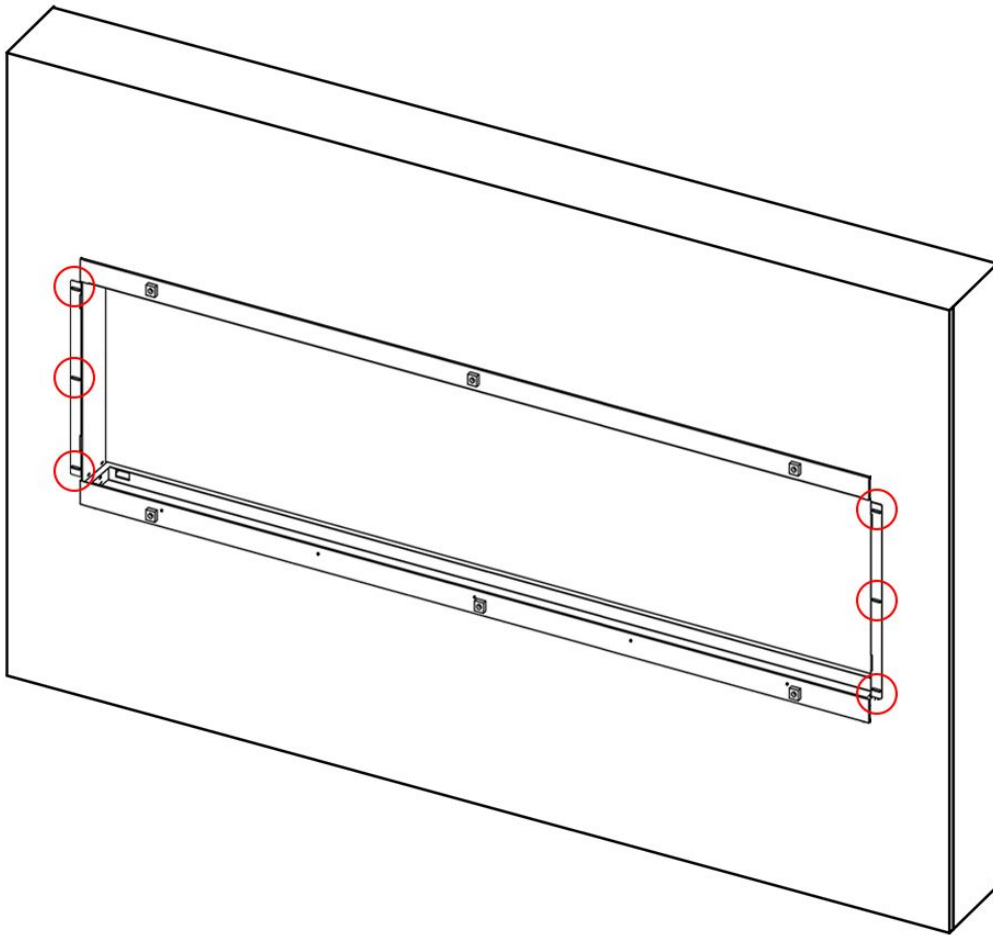
Cascade Series Installation Guide



STEP 3

3. Remove the magnetically attached front trim, and note the location of the side mounting brackets and opening for screws

Cascade Series Installation Guide

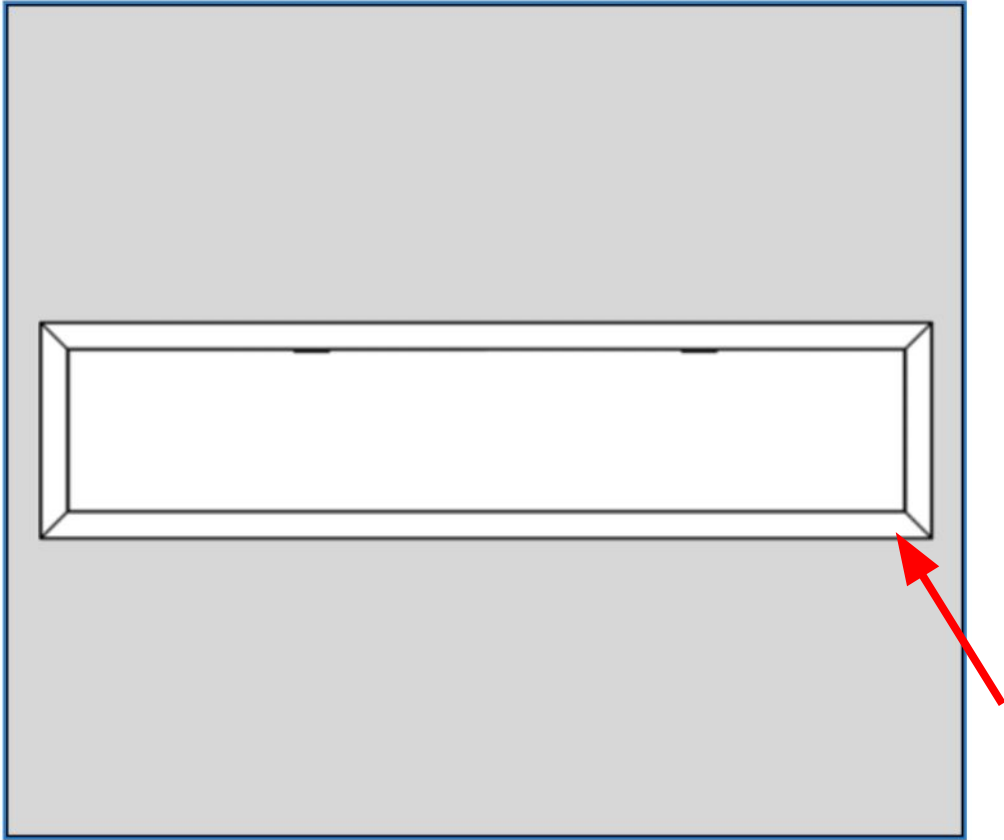


STEP 4

4. Insert the power cord and ensure fireplace has power.

Place the fireplace in the opening and secure the left and right brackets onto the wall with screws.

Cascade Series Installation Guide



STEP 5

5. Reinstall the magnetically attached front trim piece

SUPPORT

For more product information, maintenance guide, and contact information, visit:

support.dynastyfireplaces.com

Contact us:

support@dynastyfireplaces.com



THANK YOU

WWW.DYNASTYFIREPLACES.COM