

**MUST READ BEFORE**



**FRAMING**



**IMPORTANT**



EST. 2004

ontario hearth ltd.

**Montigo Distinction**

**D3615/D3615ST**

**D4815/D4815ST**

**D7215/D7215ST**

**FRAMING**

**DIMENSIONS**

**SPECIFICATIONS**

**HEAT RELEASE REQUIREMENTS**

**QR LINK FOR  
PDF DIGITAL COPY  
OF SPECIFICATIONS:**

# Section 1: Product Dimensions

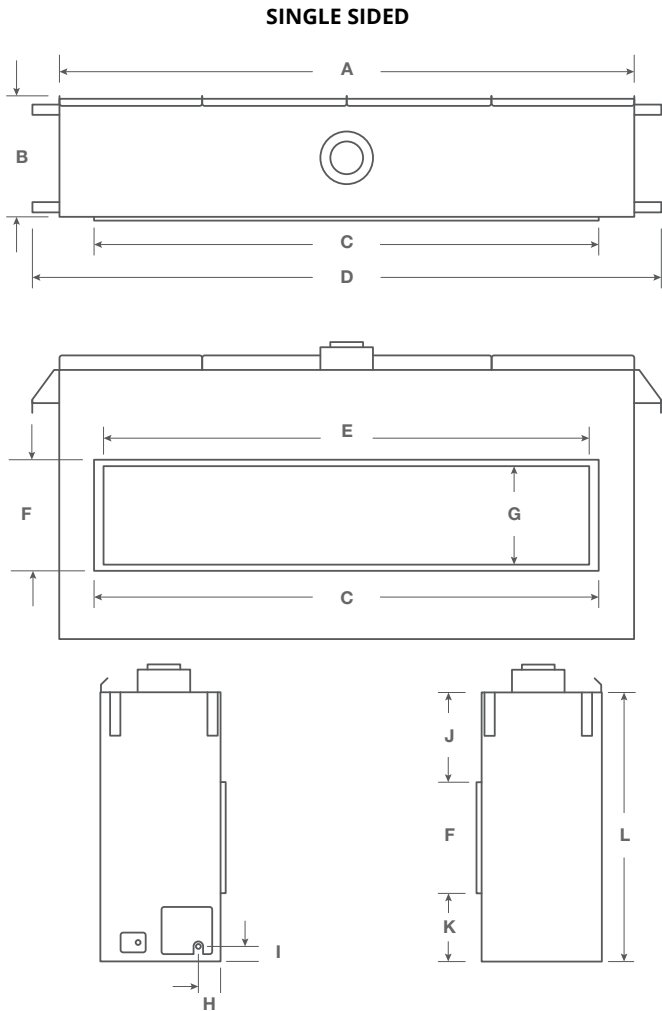


Figure 2. Distinction Fireplace dimensions (Tolerance  $\pm 1/8"$ ).

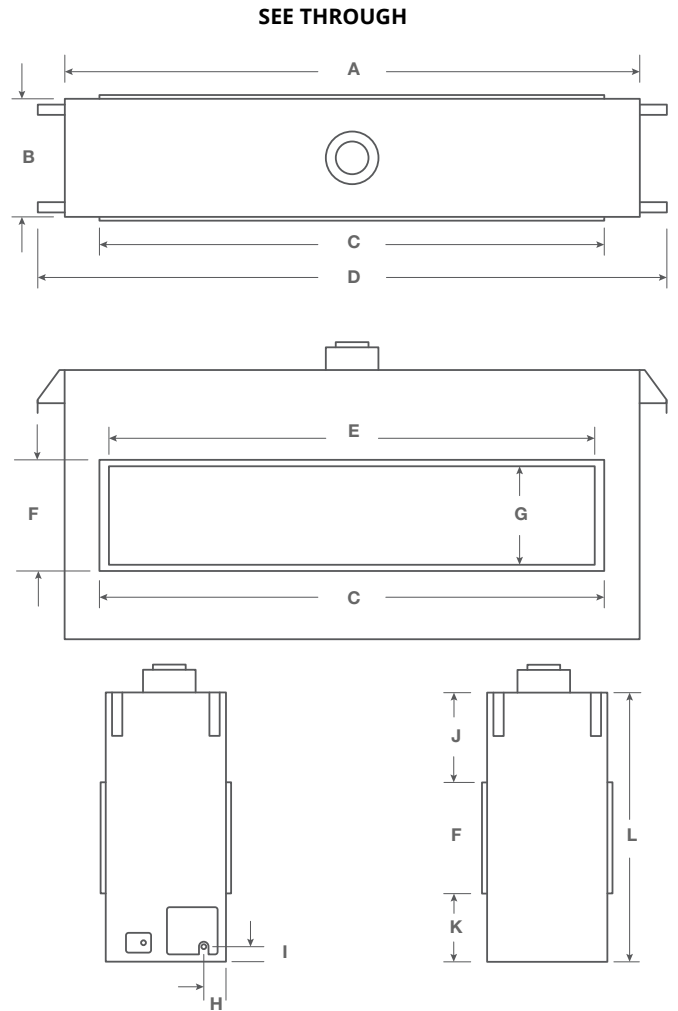


Figure 2.b Distinction Fireplace dimensions (Tolerance  $\pm 1/8"$ ).

D3615 SINGLE SIDED DIMENSIONS

A	B	C	D	E	F	G	H	I	J	K	L
51 $\frac{1}{8}$	16 $\frac{3}{4}$	40 $\frac{3}{4}$	59 $\frac{3}{4}$	37 $\frac{3}{4}$	17	15 $\frac{1}{2}$	6 $\frac{1}{4}$	2 $\frac{3}{4}$	13 $\frac{3}{4}$	10 $\frac{3}{4}$	41

D4815 SINGLE SIDED DIMENSIONS

A	B	C	D	E	F	G	H	I	J	K	L
63 $\frac{7}{8}$	16 $\frac{3}{4}$	52 $\frac{13}{16}$	71 $\frac{1}{4}$	49 $\frac{3}{4}$	17	15	6 $\frac{1}{4}$	2 $\frac{3}{4}$	13 $\frac{3}{4}$	10 $\frac{3}{4}$	41

D7215 SINGLE SIDED DIMENSIONS

A	B	C	D	E	F	G	H	I	J	K	L
87 $\frac{7}{8}$	17 $\frac{3}{4}$	76 $\frac{3}{4}$	95 $\frac{11}{16}$	73 $\frac{3}{4}$	17	15 $\frac{1}{2}$	5 $\frac{1}{2}$	2 $\frac{3}{4}$	13 $\frac{3}{4}$	10 $\frac{3}{4}$	41

D3615 SEE THROUGH DIMENSIONS

A	B	C	D	E	F	G	H	I	J	K	L
51 $\frac{1}{8}$	17 $\frac{3}{4}$	40 $\frac{3}{4}$	59 $\frac{3}{4}$	37 $\frac{3}{4}$	17	15 $\frac{1}{2}$	8 $\frac{13}{16}$	2 $\frac{3}{4}$	13 $\frac{3}{4}$	10 $\frac{3}{4}$	41

D4815 SEE THROUGH DIMENSIONS

A	B	C	D	E	F	G	H	I	J	K	L
63 $\frac{7}{8}$	17 $\frac{13}{16}$	52 $\frac{13}{16}$	71 $\frac{1}{4}$	49 $\frac{3}{4}$	17	15	5 $\frac{1}{2}$	2 $\frac{3}{4}$	13 $\frac{3}{4}$	10 $\frac{3}{4}$	41

D7215 SEE THROUGH DIMENSIONS

A	B	C	D	E	F	G	H	I	J	K	L
87 $\frac{7}{8}$	17 $\frac{3}{4}$	76 $\frac{3}{4}$	95 $\frac{11}{16}$	73 $\frac{3}{4}$	17	15 $\frac{1}{2}$	5 $\frac{1}{2}$	2 $\frac{3}{4}$	13 $\frac{3}{4}$	10 $\frac{3}{4}$	41

## Section 2: Framing

### Clearances

To ensure the fireplace operates safely, all models must maintain the following clearances:

MODEL	Top to combustible header	Sides	Floor	Back	Base of unit to ceiling †
D3615	8 <sup>13</sup> / <sub>16</sub> "	4"	0"	.5"	89"
D3615ST	8 <sup>13</sup> / <sub>16</sub> "	4"	0"	N/A	89"
D4815	8 <sup>13</sup> / <sub>16</sub> "	4"	0"	.5"	89"
D4815ST	8 <sup>13</sup> / <sub>16</sub> "	4"	0"	N/A	89"
D7215	18 <sup>5</sup> / <sub>16</sub> "	4"	0"	.5"	89"
D7215ST	18 <sup>5</sup> / <sub>16</sub> "	4"	0"	N/A	89"

Figure 3. Combustible Clearances

† Note: If measuring from bottom edge of cement board to ceiling, minimum clearance is 92<sup>1</sup>/<sub>4</sub>".

Unprotected combustible walls which are perpendicular to the fireplace opening must maintain 6" clearance.

NOTE: When constructing the framed opening, please ensure there is access to install the gas line when the unit is installed.

### WARNING

When this appliance is installed directly on ANY combustible other than wood flooring (carpet, vinyl, etc.). It must be installed on an equivalent wood or metal panel. This material must extend the full width and depth of the appliance.

### NOTICE

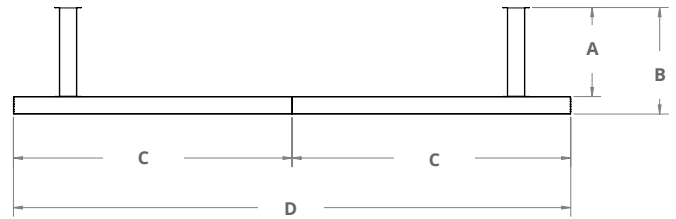
Clearances must be in accordance with local installation codes and the requirements of the gas supplier

### NOTICE

Framing measurement includes 2<sup>1</sup>/<sub>4</sub>" platform to avoid driving screws into important components inside the fireplace box.

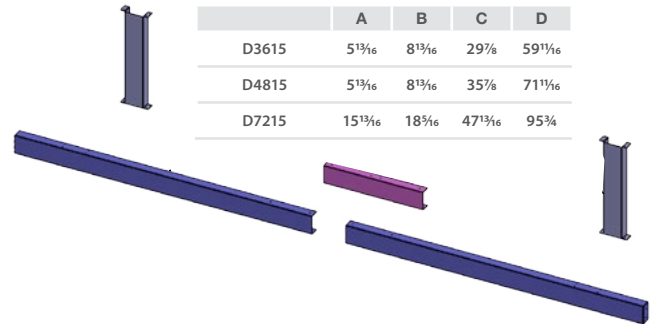
### Non Combustible Framing

Non-combustible framing is required for all Distinction models.



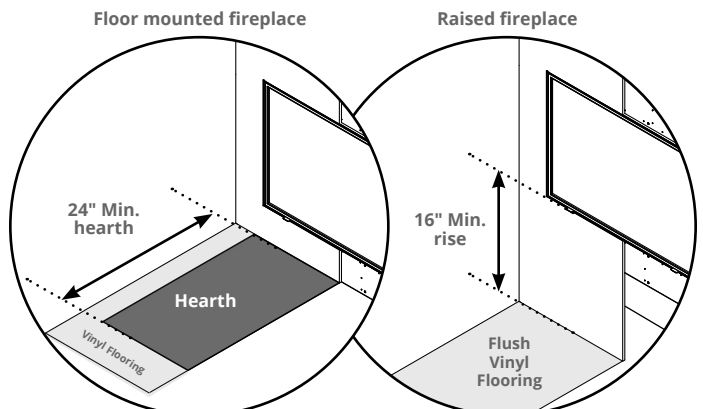
NON COMBUSTIBLE FRAMING DIMENSIONS

	A	B	C	D
D3615	5 <sup>13</sup> / <sub>16</sub> "	8 <sup>13</sup> / <sub>16</sub> "	29 <sup>7</sup> / <sub>16</sub> "	59 <sup>11</sup> / <sub>16</sub> "
D4815	5 <sup>13</sup> / <sub>16</sub> "	8 <sup>13</sup> / <sub>16</sub> "	35 <sup>7</sup> / <sub>16</sub> "	71 <sup>11</sup> / <sub>16</sub> "
D7215	15 <sup>13</sup> / <sub>16</sub> "	18 <sup>13</sup> / <sub>16</sub> "	47 <sup>13</sup> / <sub>16</sub> "	95 <sup>3</sup> / <sub>4</sub> "



### Recommended flooring considerations

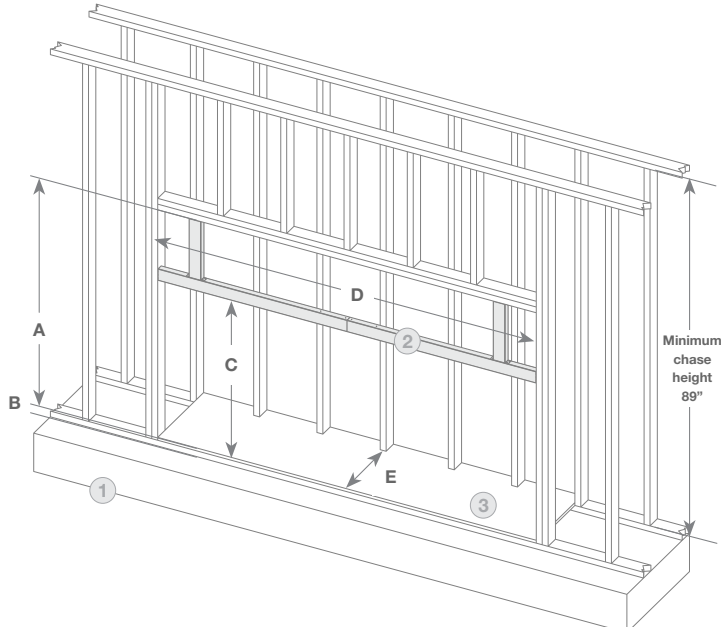
Flooring such as Luxury Vinyl Plank (LVP) and other vinyl flooring can be sensitive to radiant heat and changes in temperature. If using vinyl flooring we recommend you install the fireplace in one of the ways shown below.



The minimum width of the hearth is equal to the width of the fireplace.

Raise the fireplace 16" above the floor to allow for vinyl flooring to be installed flush to the wall. (Measured from floor to the bottom of the door opening)

## Framing the Single Sided Fireplace



D3615 SINGLE SIDED DIMENSIONS

A	B	C	D	E	F	G	H	I	J	K
49 <sup>15</sup> / <sub>16</sub>	2 <sup>1</sup> / <sub>4</sub>	41 <sup>1</sup> / <sub>16</sub>	59 <sup>3</sup> / <sub>4</sub>	17 <sup>1</sup> / <sub>2</sub>	10 <sup>7</sup> / <sub>8</sub>	40 <sup>7</sup> / <sub>8</sub>	24	17 <sup>1</sup> / <sub>8</sub>	12 <sup>2</sup> / <sub>16</sub>	53 <sup>11</sup> / <sub>16</sub>

D4815 SINGLE SIDED DIMENSIONS

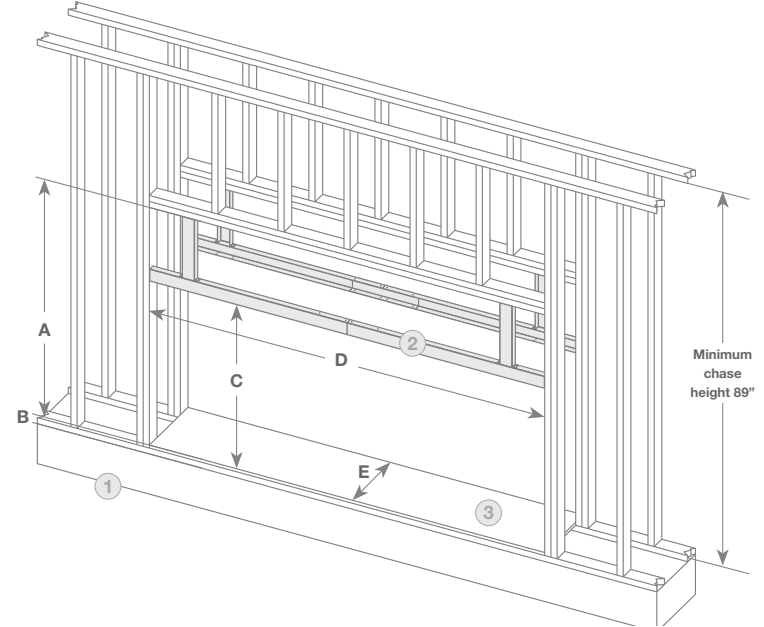
A	B	C	D	E	F	G	H	I	J	K
49 <sup>15</sup> / <sub>16</sub>	2 <sup>1</sup> / <sub>4</sub>	41 <sup>1</sup> / <sub>16</sub>	71 <sup>3</sup> / <sub>4</sub>	17 <sup>1</sup> / <sub>2</sub>	10 <sup>7</sup> / <sub>8</sub>	52 <sup>7</sup> / <sub>8</sub>	24	17 <sup>1</sup> / <sub>8</sub>	12 <sup>2</sup> / <sub>16</sub>	53 <sup>11</sup> / <sub>16</sub>

D7215 SINGLE SIDED DIMENSIONS

A	B	C	D	E	F	G	H	I	J	K
59 <sup>3</sup> / <sub>8</sub>	2 <sup>1</sup> / <sub>4</sub>	41 <sup>1</sup> / <sub>16</sub>	95 <sup>3</sup> / <sub>4</sub>	18 <sup>1</sup> / <sub>2</sub>	10 <sup>7</sup> / <sub>8</sub>	76 <sup>7</sup> / <sub>8</sub>	33 <sup>7</sup> / <sub>16</sub>	17 <sup>1</sup> / <sub>8</sub>	12 <sup>2</sup> / <sub>16</sub>	63 <sup>3</sup> / <sub>8</sub>

1	Floor structure
2	Non-combustible metal framing
3	Fireplace platform
4	Cement board

## Framing the See-Through Fireplace



D3615 SEE THROUGH DIMENSIONS

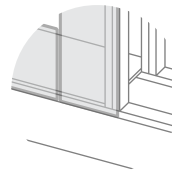
A	B	C	D	E	F	G	H	I	J	K
49 <sup>15</sup> / <sub>16</sub>	2 <sup>1</sup> / <sub>4</sub>	41 <sup>1</sup> / <sub>16</sub>	59 <sup>3</sup> / <sub>4</sub>	17 <sup>11</sup> / <sub>16</sub>	10 <sup>7</sup> / <sub>8</sub>	40 <sup>7</sup> / <sub>8</sub>	24	17 <sup>1</sup> / <sub>8</sub>	12 <sup>2</sup> / <sub>16</sub>	53 <sup>11</sup> / <sub>16</sub>

D4815 SEE THROUGH DIMENSIONS

A	B	C	D	E	F	G	H	I	J	K
49 <sup>15</sup> / <sub>16</sub>	2 <sup>1</sup> / <sub>4</sub>	41 <sup>1</sup> / <sub>16</sub>	71 <sup>3</sup> / <sub>4</sub>	17 <sup>11</sup> / <sub>16</sub>	10 <sup>7</sup> / <sub>8</sub>	52 <sup>7</sup> / <sub>8</sub>	24	17 <sup>1</sup> / <sub>8</sub>	12 <sup>2</sup> / <sub>16</sub>	53 <sup>11</sup> / <sub>16</sub>

D7215 SEE THROUGH DIMENSIONS

A	B	C	D	E	F	G	H	I	J	K
59 <sup>3</sup> / <sub>8</sub>	2 <sup>1</sup> / <sub>4</sub>	41 <sup>1</sup> / <sub>16</sub>	95 <sup>3</sup> / <sub>4</sub>	17 <sup>11</sup> / <sub>16</sub>	10 <sup>7</sup> / <sub>8</sub>	76 <sup>7</sup> / <sub>8</sub>	33 <sup>7</sup> / <sub>16</sub>	17 <sup>1</sup> / <sub>8</sub>	12 <sup>2</sup> / <sub>16</sub>	63 <sup>3</sup> / <sub>8</sub>



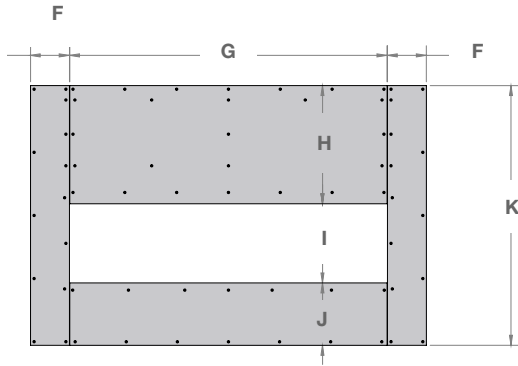
### IMPORTANT

**Cement board:** The included cement board is sized to overlap the 2x4 and platform noted in the framing section. The board will not fit if the unit is placed directly on the floor.

## NOTICE

When using dimensional lumber to build fireplace framing, wood studs must be completely dry, sound and straight. Ignoring recommendation will cause stress point formations and potential cracks in finishing materials

## Cement board recommendations



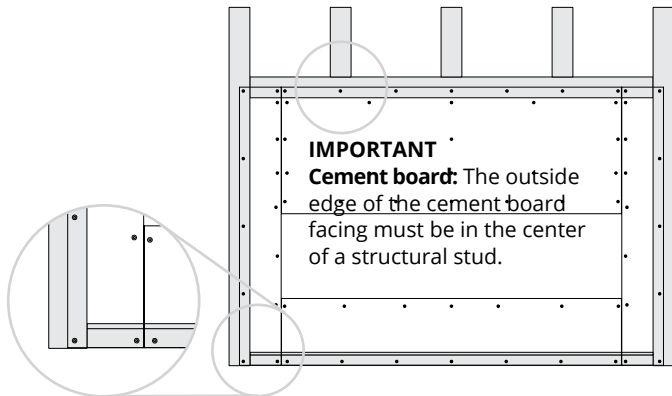
D3615 CEMENT BOARD DIMENSIONS						
F	G	H	I	J	K	
10 $\frac{1}{8}$ "	40 $\frac{1}{8}$ "	24"	17 $\frac{1}{8}$ "	12 $\frac{1}{16}$ "	53 $\frac{1}{16}$ "	

D4815 CEMENT BOARD DIMENSIONS						
F	G	H	I	J	K	
10 $\frac{1}{8}$ "	52 $\frac{1}{8}$ "	24"	17 $\frac{1}{8}$ "	12 $\frac{1}{16}$ "	53 $\frac{1}{16}$ "	

D7215 CEMENT BOARD DIMENSIONS						
F	G	H	I	J	K	
10 $\frac{1}{8}$ "	76 $\frac{1}{8}$ "	33 $\frac{1}{16}$ "	17 $\frac{1}{8}$ "	12 $\frac{1}{16}$ "	63 $\frac{1}{8}$ "	



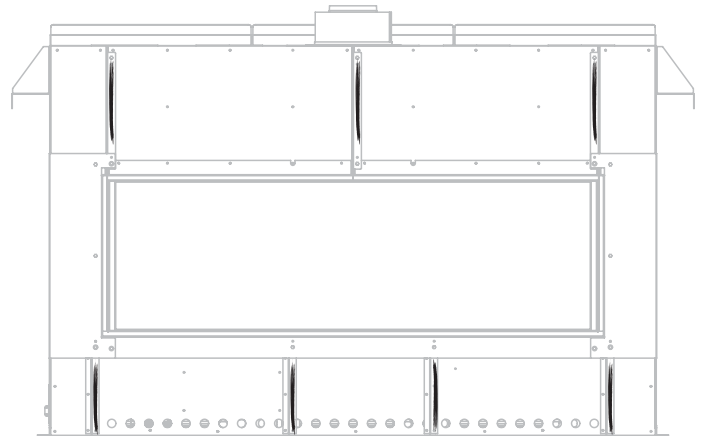
**IMPORTANT**  
**Cement board:** The included cement board facing is sized to overlap the 2x4 and platform noted in the framing section. The board will not fit if the unit is placed directly on the floor.

## NOTICE

Supplied cement board can be drilled to add extra fasteners or support if finishing application calls for it. No extra fasteners shall be used to attach cement board to fireplace body

## NOTICE

It is highly recommended to apply high temp resistant RTV Silicone where cement board touches fireplace body. At least 48h cure time before applying finishing or firing fireplace

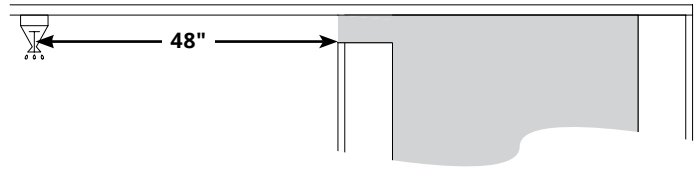


## NOTICE

Supplied cement board is for minimum installation requirements for non-combustible surfaces. When installing heavy finishing materials such as Natural Stone, Granite, Marble, Etc., Full sheets (4'x8') of cement board is recommended to minimize number of joints and to reduce risk of cracking (supplied cement board can be used as stencil to predrill new cement sheets) Any replacement sheet of cement board must be calcium silicate based as to withstand continuous high operating temperatures.

## Clearance to Sprinkler

- Maintain 48" of clearance to openings from which heat is discharged such as chase venting and Cool Wall Advantage.
- Please follow local building codes to determine what sprinkler head sensor setting is relevant for your installation.



## Chase venting

At a minimum, a 120 square inch opening is required in the finished enclosure to keep temperatures within a safe level. This can be achieved in a variety of ways such as the few shown below.

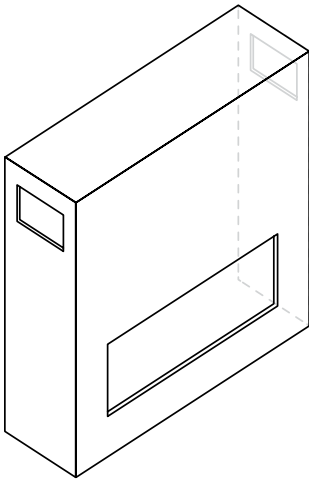


Figure 19.b Side chase venting (6"x10") on both sides of enclosure

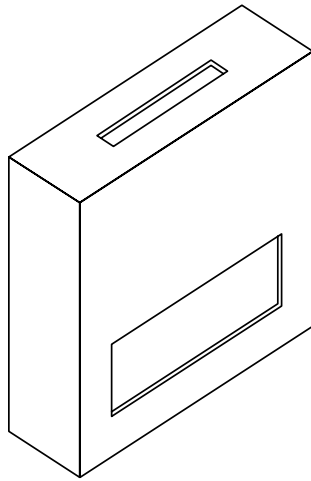


Figure 19.c Top chase venting (3"x40") on top of enclosure

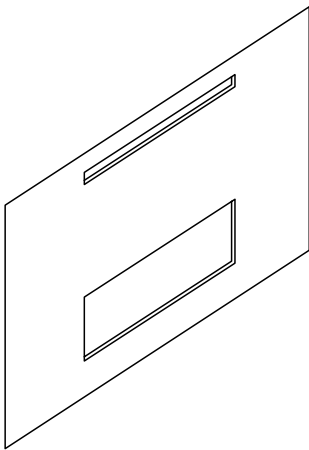


Figure 19.d Front chase venting (2"x60") on front of enclosure

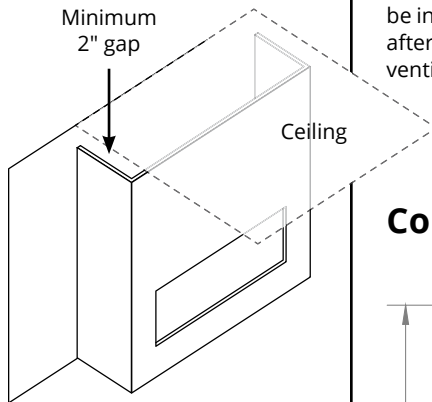


Figure 19.d Open top chase venting on top of enclosure

The opening of the chase cannot be lower than 3" from the top of the enclosure to prevent heat from pocketing at the top of the enclosure. A minimum of 2" from the top of a chase vent to the ceiling is needed. Any combination of the above examples is an acceptable chase vent providing they add up to at least 120 square inches.

**NOTE:** Chase venting not required if using Cool Wall Advantage heat diversion system.

## TV recess framing

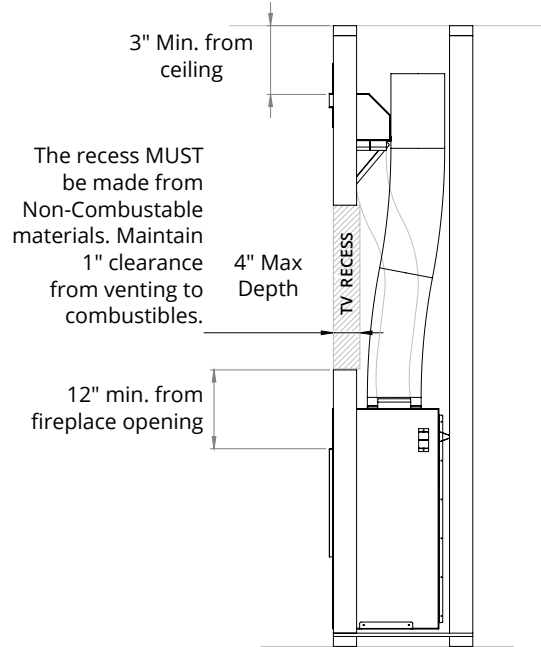
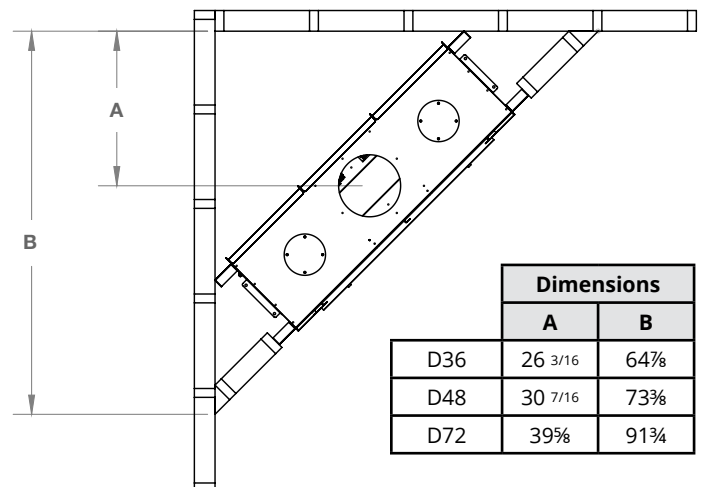


Figure 8.b.d Cool Wall Advantage TV recess dimensions

The recess must be made from Non-Combustable materials. Recess can be increased beyond a 4" depth by using a 45° or 90° elbow in venting after the minimum 3' upward distance is achieved, 1" clearance from venting to combustibles must still be maintained.

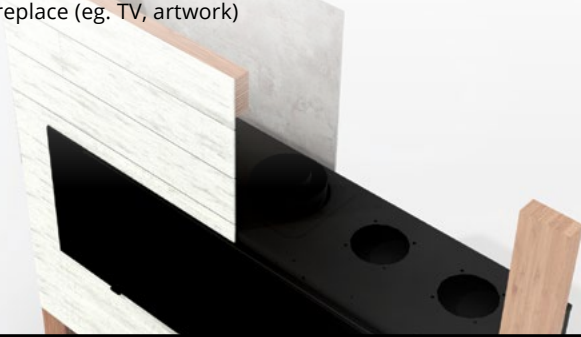
## Corner framing



	Dimensions	
	A	B
D36	26 <sup>3</sup> / <sub>16</sub>	64 <sup>7</sup> / <sub>8</sub>
D48	30 <sup>7</sup> / <sub>16</sub>	73 <sup>3</sup> / <sub>8</sub>
D72	39 <sup>1</sup> / <sub>2</sub>	91 <sup>3</sup> / <sub>4</sub>

## **WARNING**

The use of the fans when the Cool Wall Release OR Cool Wall Advantage system is used will result in significantly higher wall temperatures. These higher temperatures can negatively impact the finished wall surface, art, and or mounted TV. Therefore, Montigo **STRONGLY RECOMMENDS** that fans be disconnected when the Cool Wall Release OR Cool Wall Advantage system is used. This can be done through the remote control (See instructions) or by disconnecting the fan harness. Montigo is **NOT** responsible for damage to facing materials, and items placed above the fireplace (eg. TV, artwork)



### **Disable fans via remote**

1. Turn the fireplace on, turn fans to off setting.
2. Partially take out one battery.
3. Hold both the Mode AND On/Off button.
4. Insert battery (while still holding the two buttons), then release Mode button (keep On/Off pressed).
5. Cycle through modes with Mode button until you get to fan setting, with Down button set fan function from Set to Clr.
6. Release On/Off button, turn the fireplace on. There will be now be no fan mode on remote.

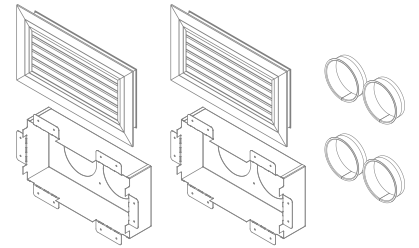
## NOTICE

The temperature above the fireplace will rise with the use of fans when also using the Cool Wall Kit. If fan use is expected then a mantel is needed.

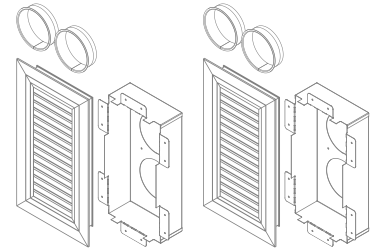
### Framing with Cool Wall Advantage

- Refer to the chart below to determine the length of 5" diameter flex pipe required for completion of installation (12' or 24'). Flex pipe is available from Montigo as part # HDKPDFK and HDKPDFK-1.
- The installation of this fireplace must be done by a qualified and certified gas appliance installer.
- Check local codes and read all instructions prior to installation.
- Minimum clearance to flexible ducting is 1"

Cool Wall Advantage Side Discharge Kit horizontal HDKSD  
[Includes 2 louvers , 2 plenums, requires flex kit]



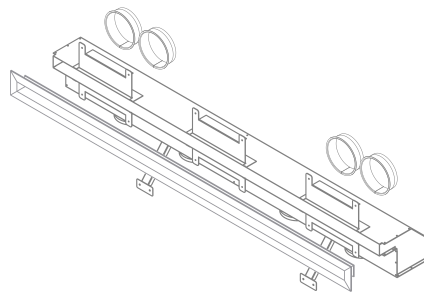
Cool Wall Advantage Side Discharge Kit vertical HDKSVD  
[Includes 2 louvers , 2 plenums, requires flex kit]



#### UNIT COMPATIBILITY

Cool wall system	D3615NI-2	D4815NI-2	D6315NI-2	D7215NI-2
HDKPD36	✓			
HDKPD48		✓		
HDKPD63			✓	
HDKPD72				✓
HDKSD	✓	✓	✓	✓
HDKSVD	✓	✓	✓	✓
HDKPDFK-1	✓			
HDKPDFK		✓	✓	✓

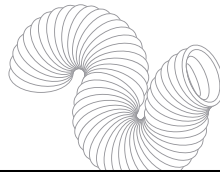
Cool Wall Advantage Kit HDKPD\*\*  
[Includes louver , plenum, requires flex kit]



Cool Wall Flex Kit

HDKPDFK  
HDKPDFK-1

[HDKPDFK-1 is 12' of 5" Diameter flex pipe, HDKPDFK is 24' of 5" Diameter flex pipe]



An alternate 5-inch diameter duct may be used with this kit providing it is metal and meet requirements of UL-181 Class 1 Air Duct. Flexible aluminium duct is acceptable provided it meets the UL-181 Class 1 requirements.

#### COOL WALL TV KIT DIMENSIONS

	A	B	C	D	E	F	G	H	I
36"	39 <sup>13</sup> / <sub>16</sub> "	38 <sup>7</sup> / <sub>8</sub> "	3"	1 <sup>1</sup> / <sub>2</sub> "	N/A	2"	9 <sup>9</sup> / <sub>16</sub> "	N/A	7 <sup>1</sup> / <sub>8</sub> "
48"	51 <sup>7</sup> / <sub>8</sub> "	50 <sup>7</sup> / <sub>8</sub> "	3"	1 <sup>1</sup> / <sub>2</sub> "	30 <sup>1</sup> / <sub>2</sub> "	2"	9 <sup>9</sup> / <sub>16</sub> "	21"	7 <sup>1</sup> / <sub>8</sub> "
63"	66 <sup>1</sup> / <sub>16</sub> "	65 <sup>1</sup> / <sub>16</sub> "	3"	1 <sup>1</sup> / <sub>2</sub> "	38 <sup>3</sup> / <sub>16</sub> "	2"	9 <sup>9</sup> / <sub>16</sub> "	21"	6 <sup>1</sup> / <sub>8</sub> "
72"	75 <sup>13</sup> / <sub>16</sub> "	74 <sup>13</sup> / <sub>16</sub> "	3"	1 <sup>1</sup> / <sub>2</sub> "	39 <sup>9</sup> / <sub>16</sub> "	2"	9 <sup>9</sup> / <sub>16</sub> "	21"	7 <sup>1</sup> / <sub>8</sub> "

